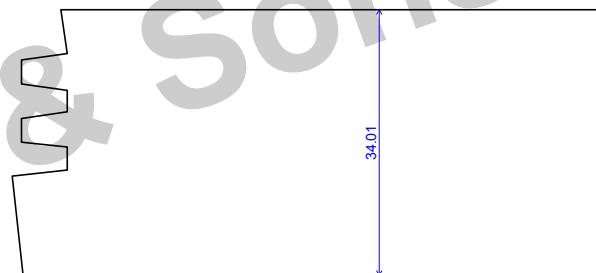
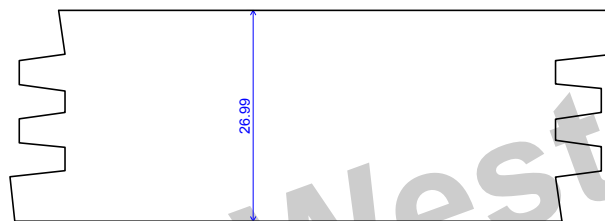
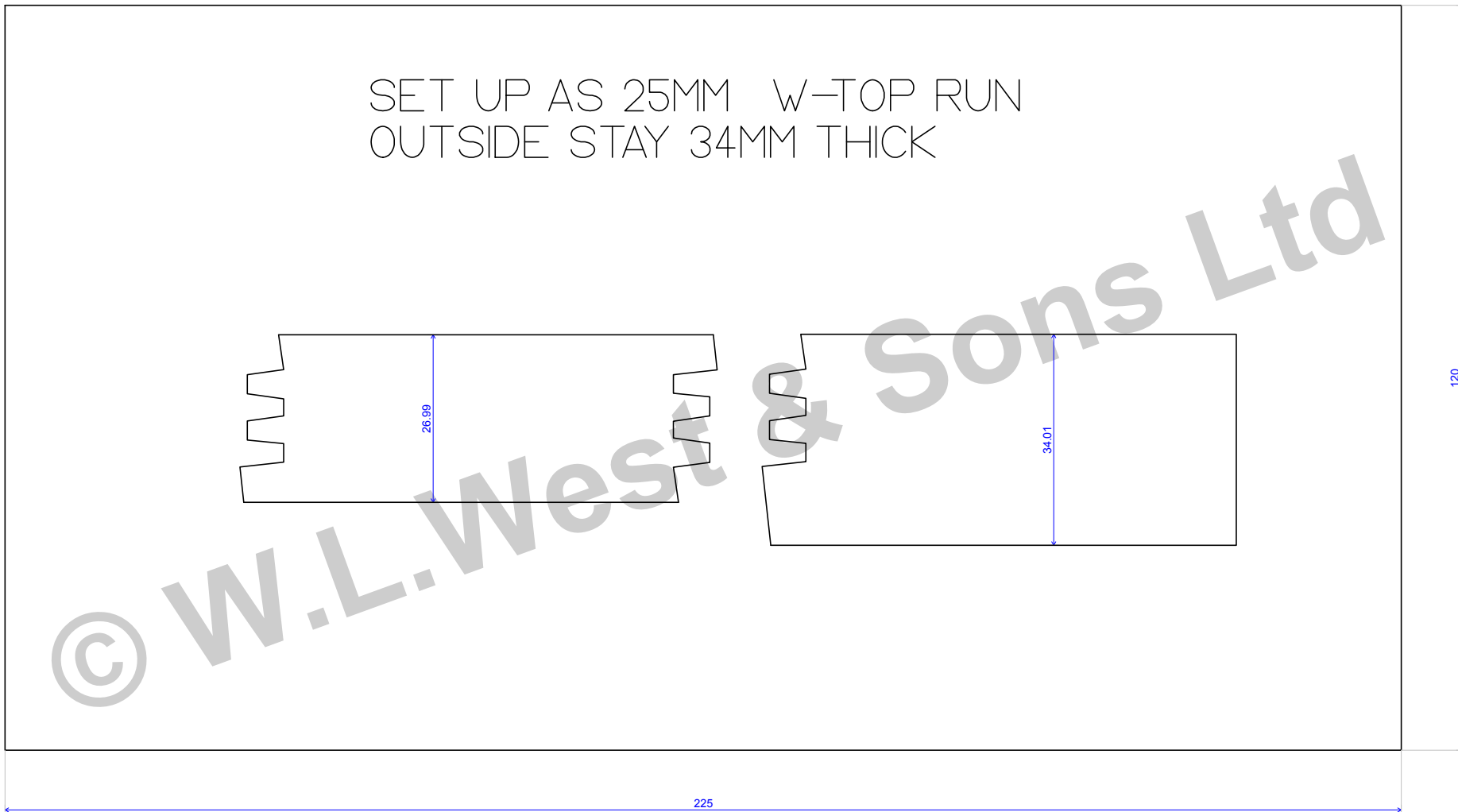


	<b>WLW 25MM WORKTOP</b>	Scale : 1.235
12/06/09	Box 052	

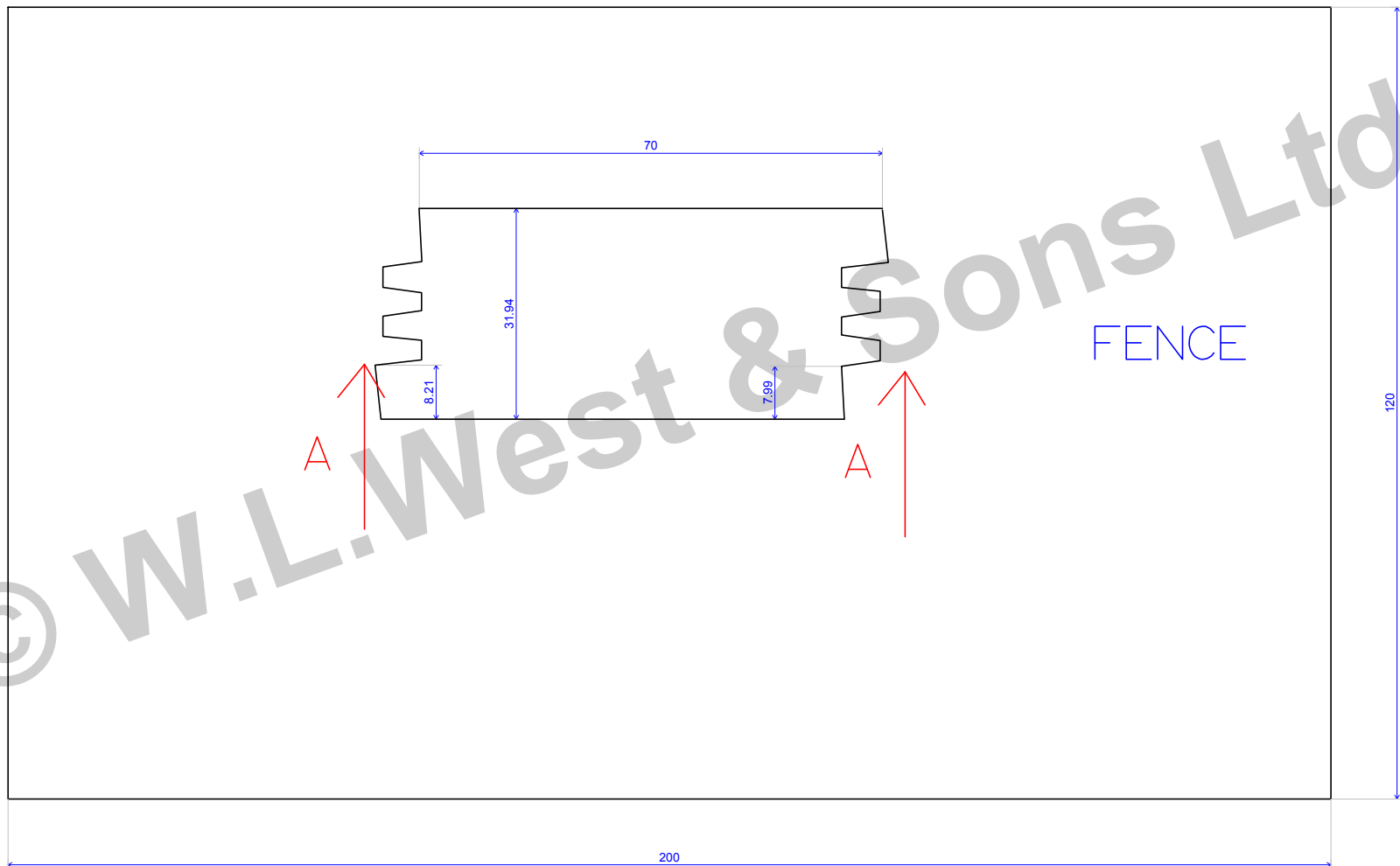
SET UP AS 25MM W-TOP RUN  
OUTSIDE STAY 34MM THICK



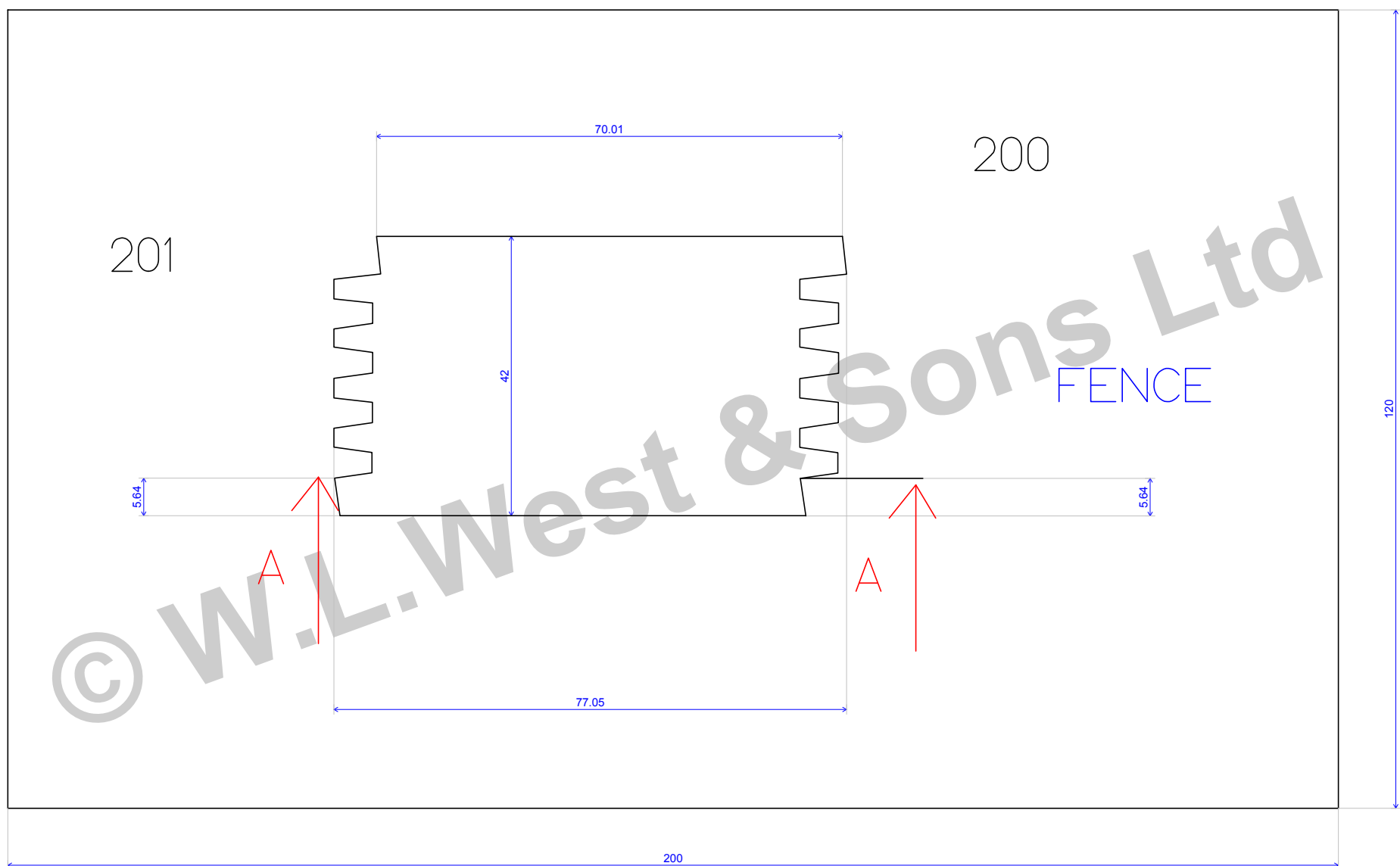
© W.L. West & Sons Ltd



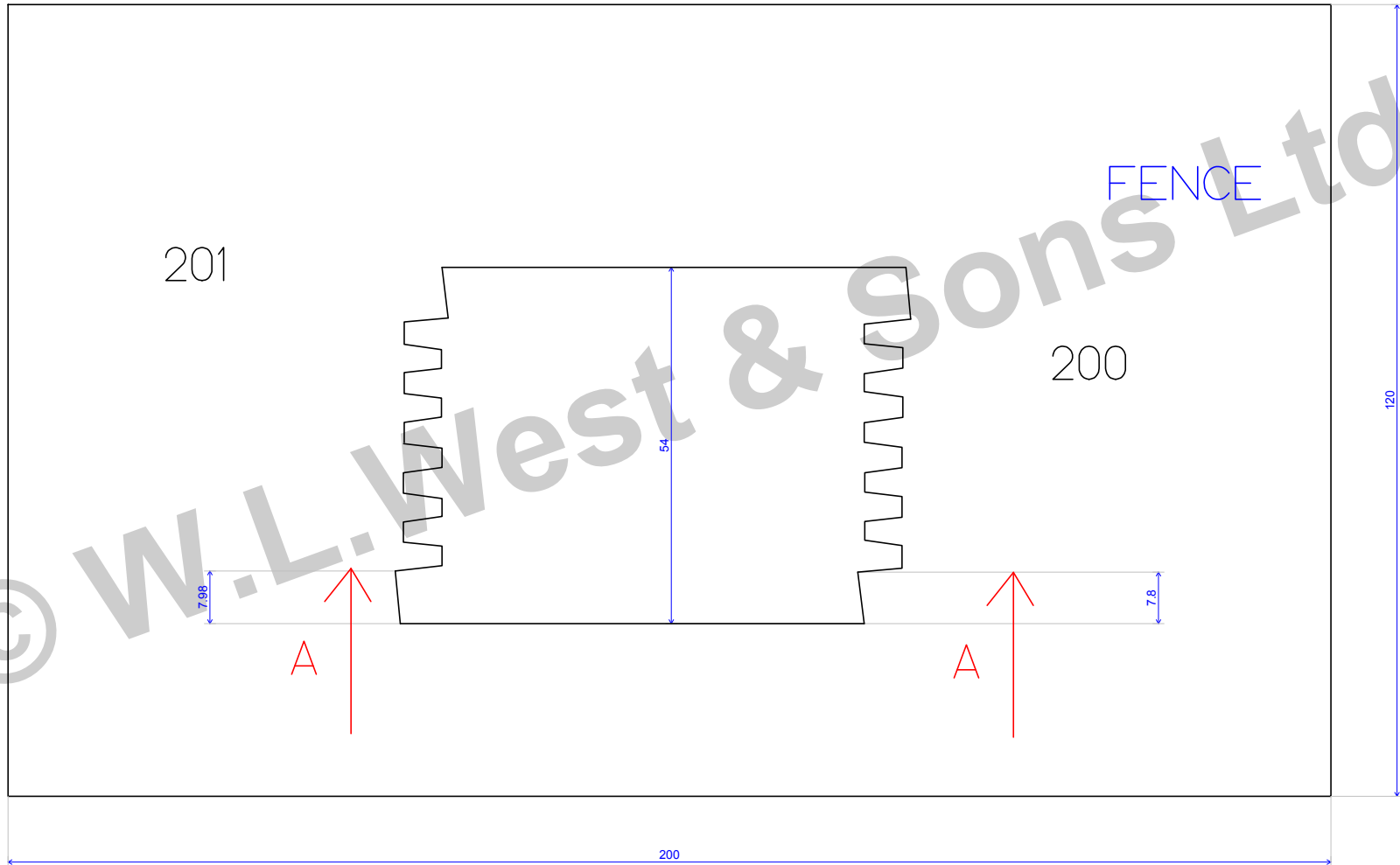
	<b>WLW 25MM WITH 32MM FRONT STAVE</b>	Scale : 1.034
12/06/09	Box 056	



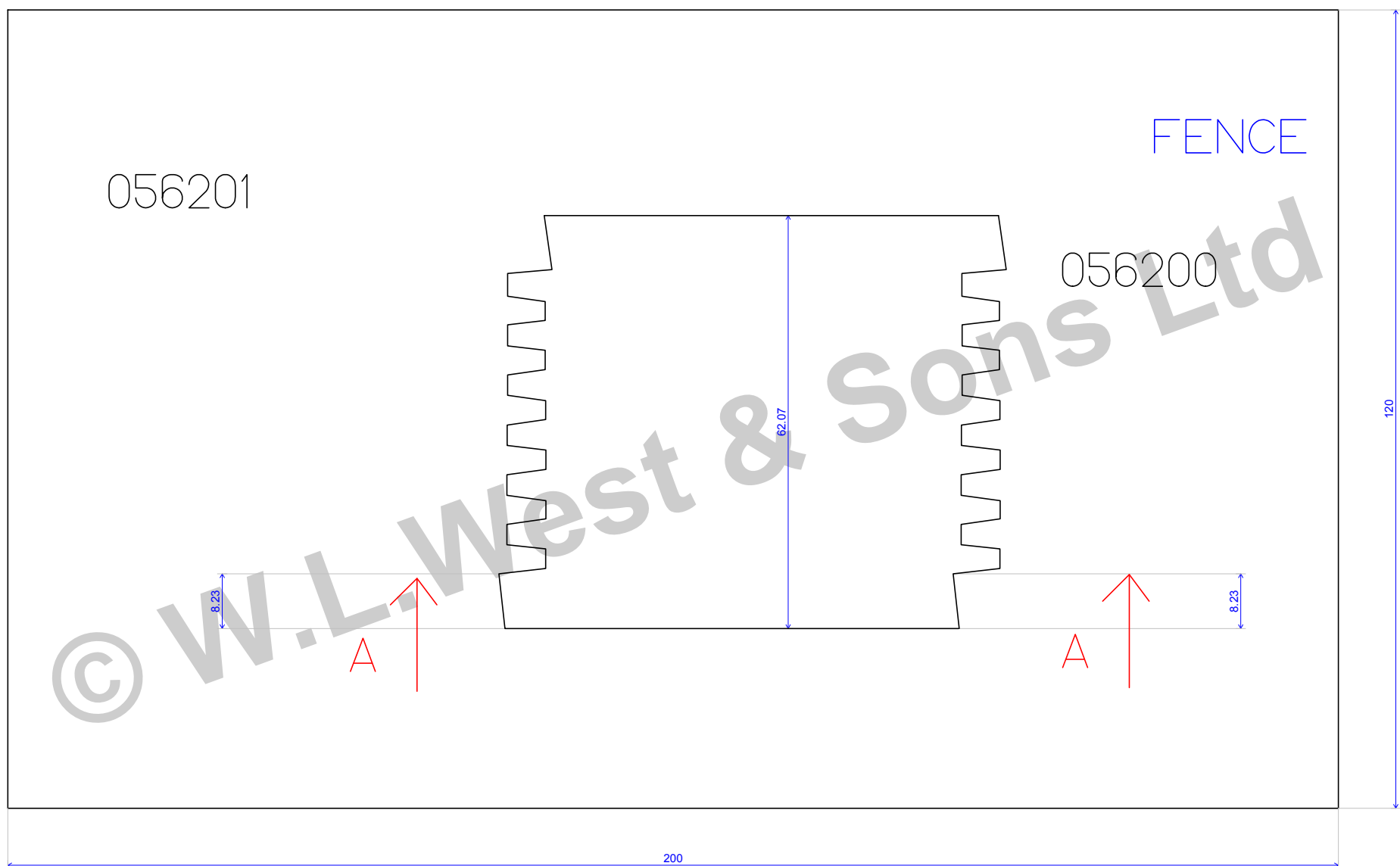
	<b>WLW 30MM WORKTOP</b>	Scale : 1
12/06/09	Box 051	



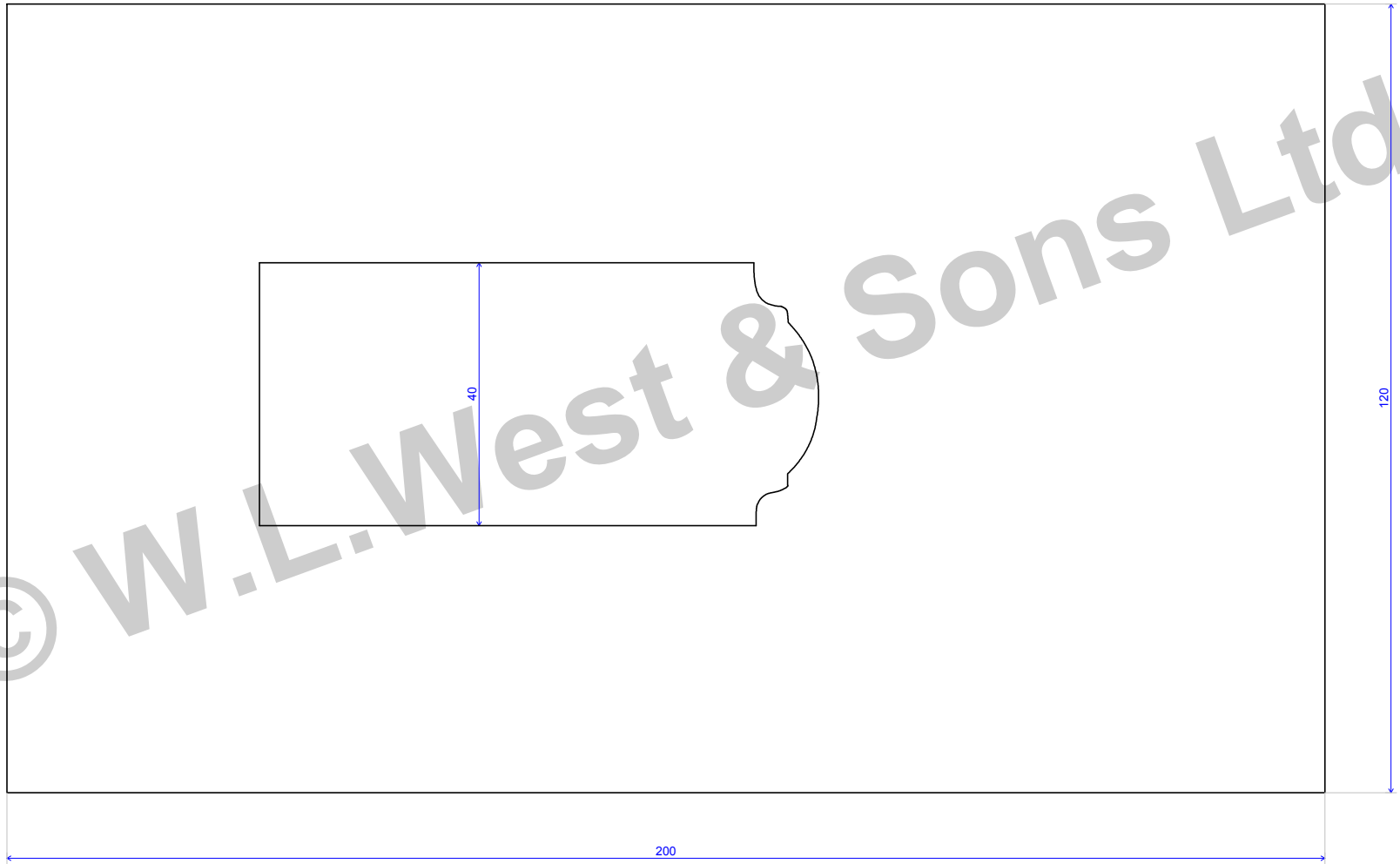
	<b>WLW 40MM WORKTOP</b>	Scale : 1.164
12/06/09	Box 050	



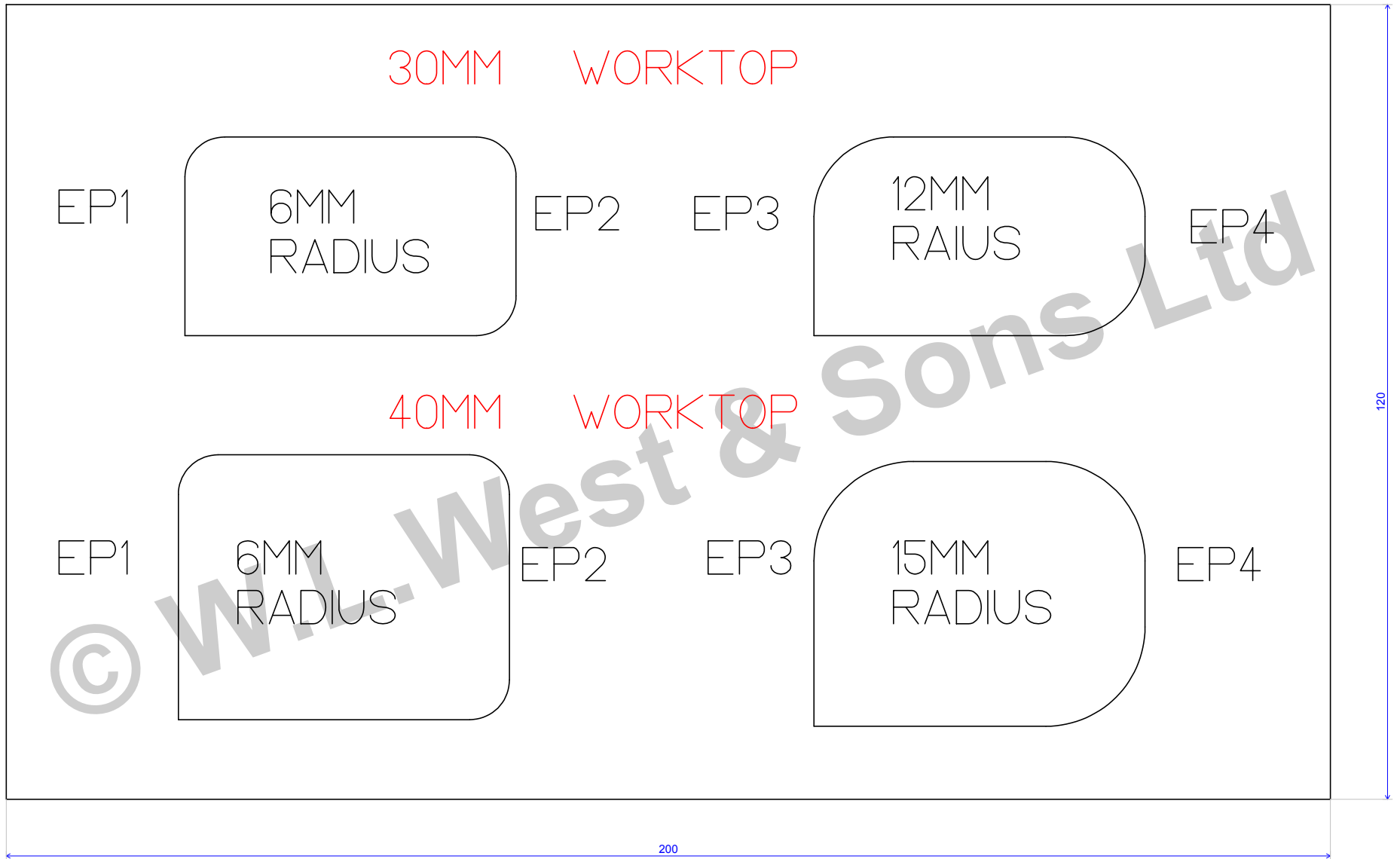
	<b>WLW 52MM WORKTOP</b>	Scale : 1
12/06/09	Box 061	



	<b>WLW 60MM WORKTOP</b>	Scale : 1.164
12/06/09	Box 056	



	<b>WLW EDGE PROFILE</b>	Scale : 1
11/06/09	Routed Edge	



	<b>WLW W TOP RADIUS 30MM/40MM</b>	Scale : 1.164
11/06/09		