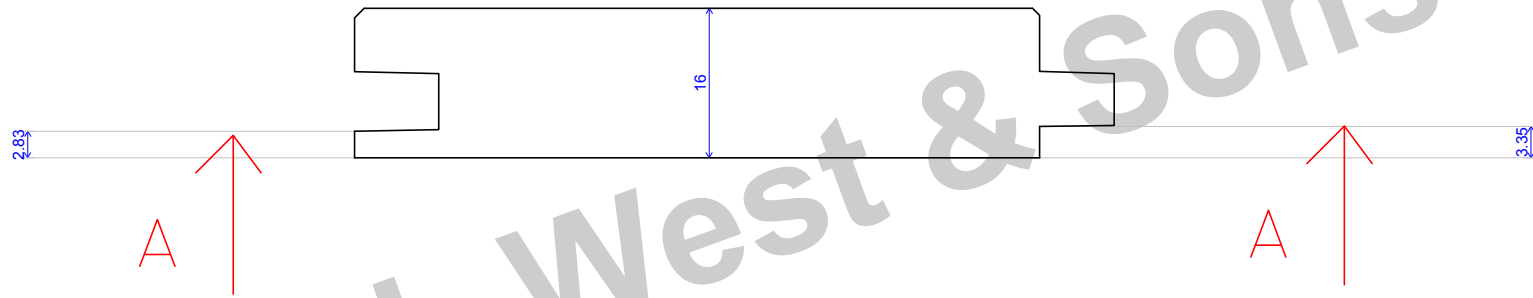


	<b>M OFFSET T- G</b>	Scale : 1
24/06/09	Box 509	

# 1 SIDED MICRO BEVELL



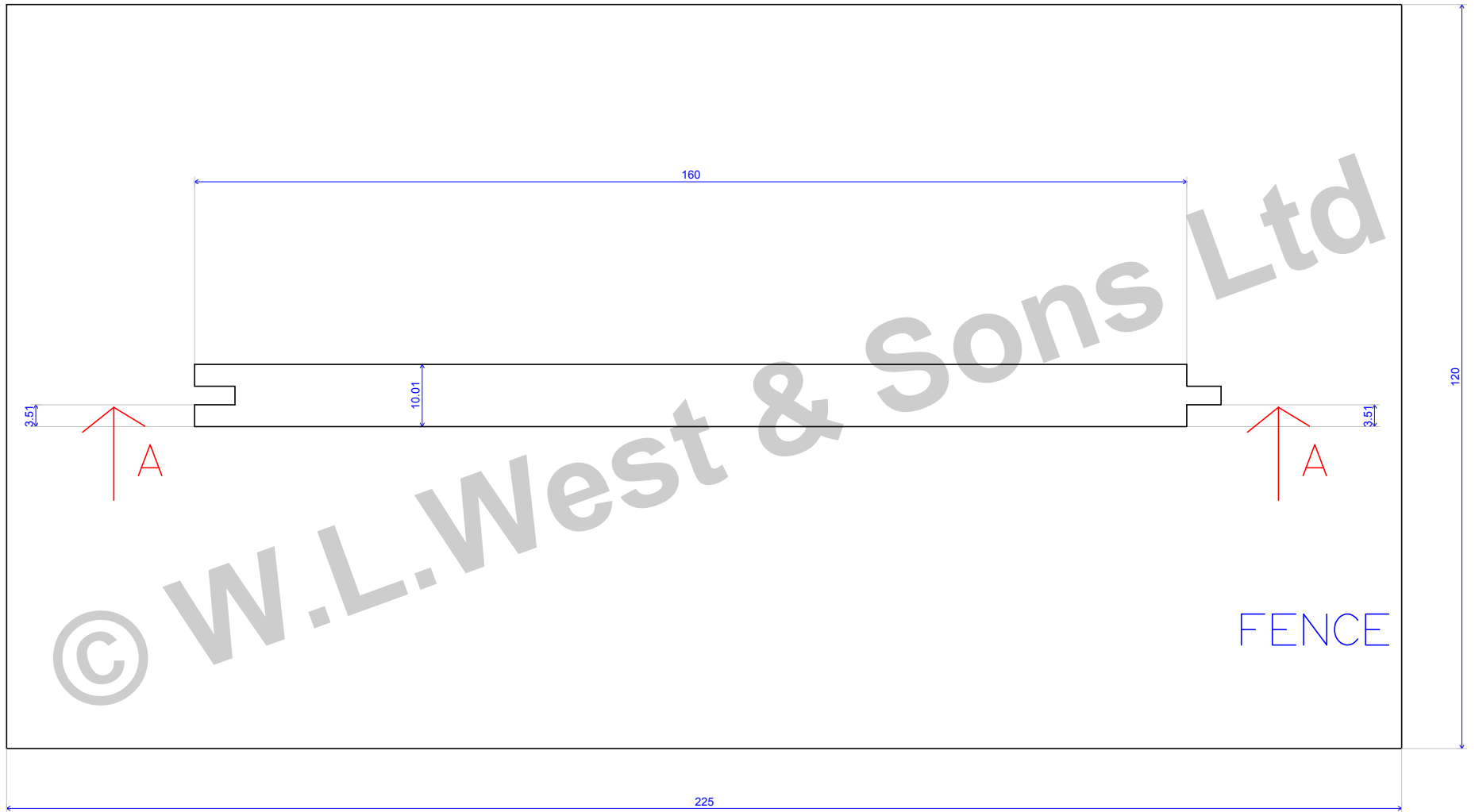
120

200

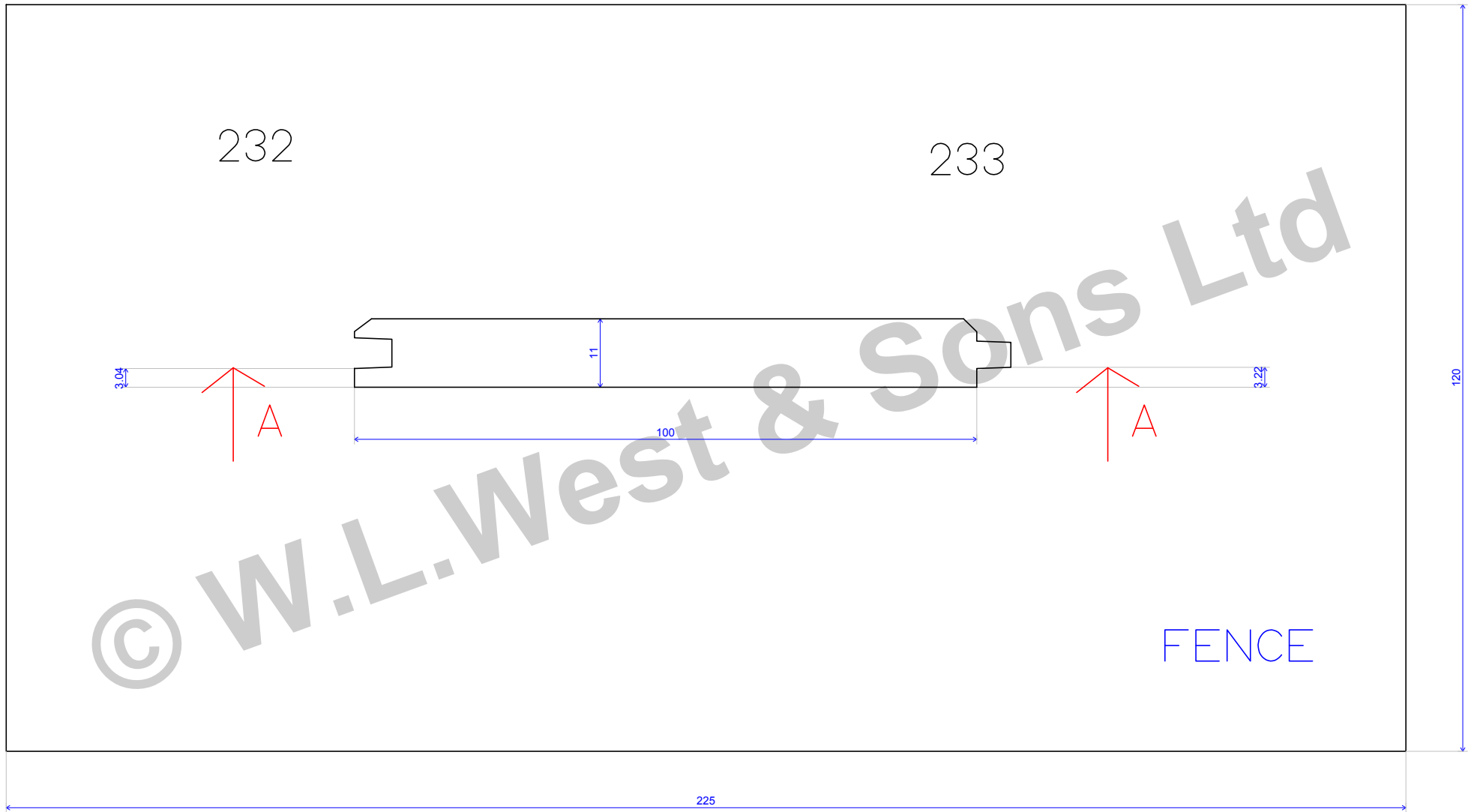
© W.L. West & Sons Ltd

FENCE

	<b>1 SIDED MICRO BEVELL</b>	Scale : 1.235
02/06/09		

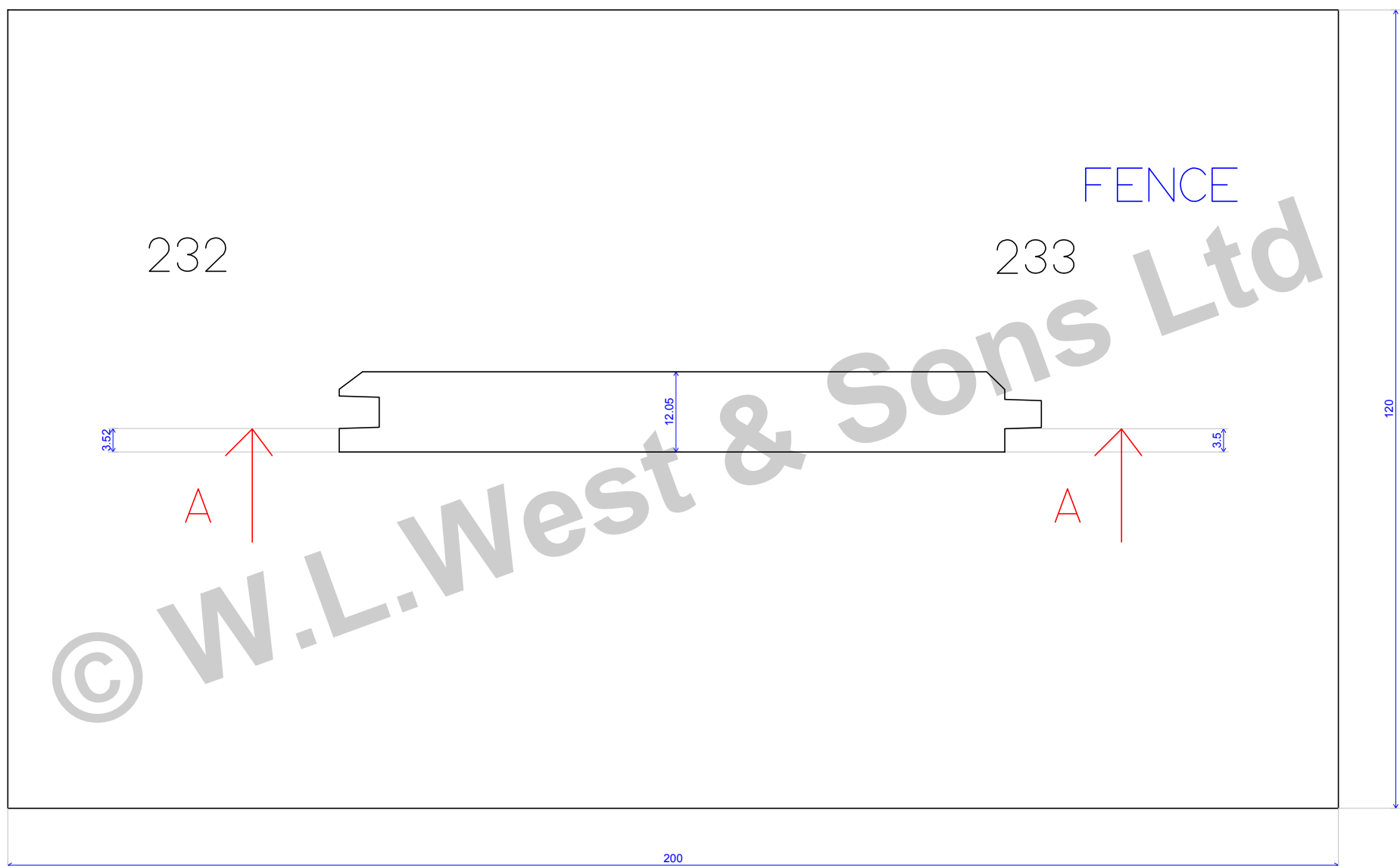


	<b>WLW 10MM T&amp;G</b>	Scale : 1.034
02/06/09	Box 129	

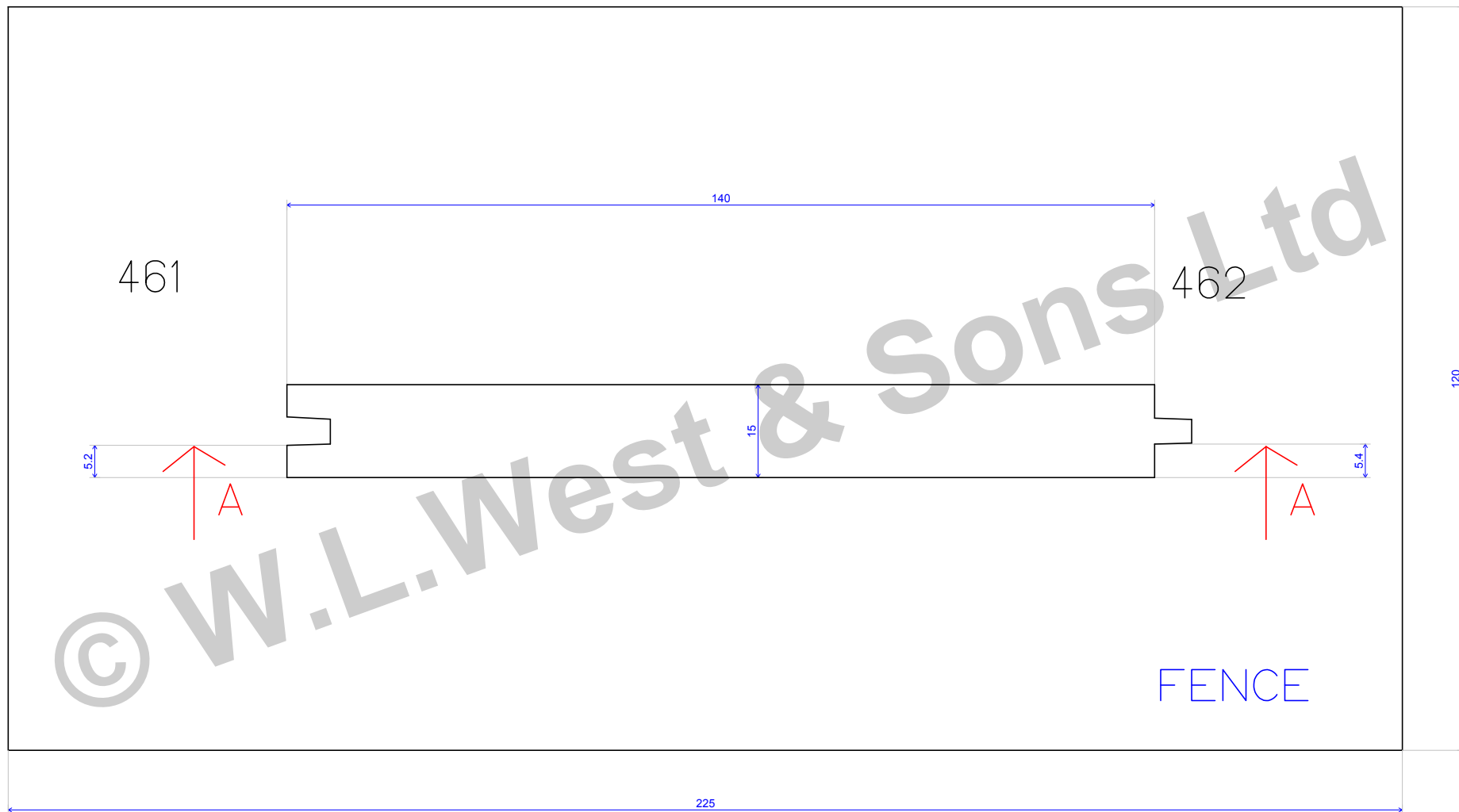


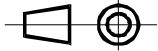
	<b>WLW 11MM T&amp;G</b>	Scale : 1.098
02/06/09		

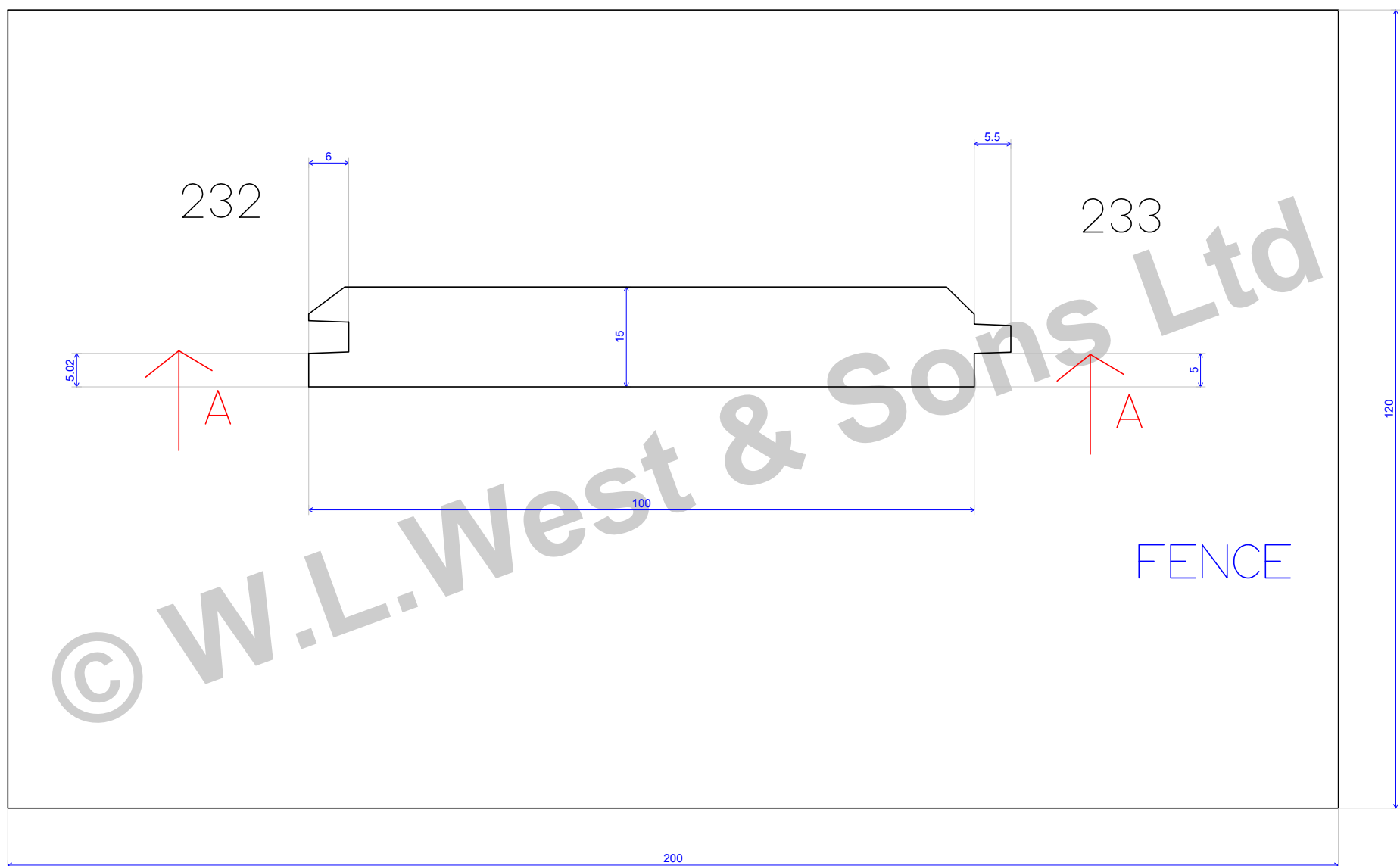




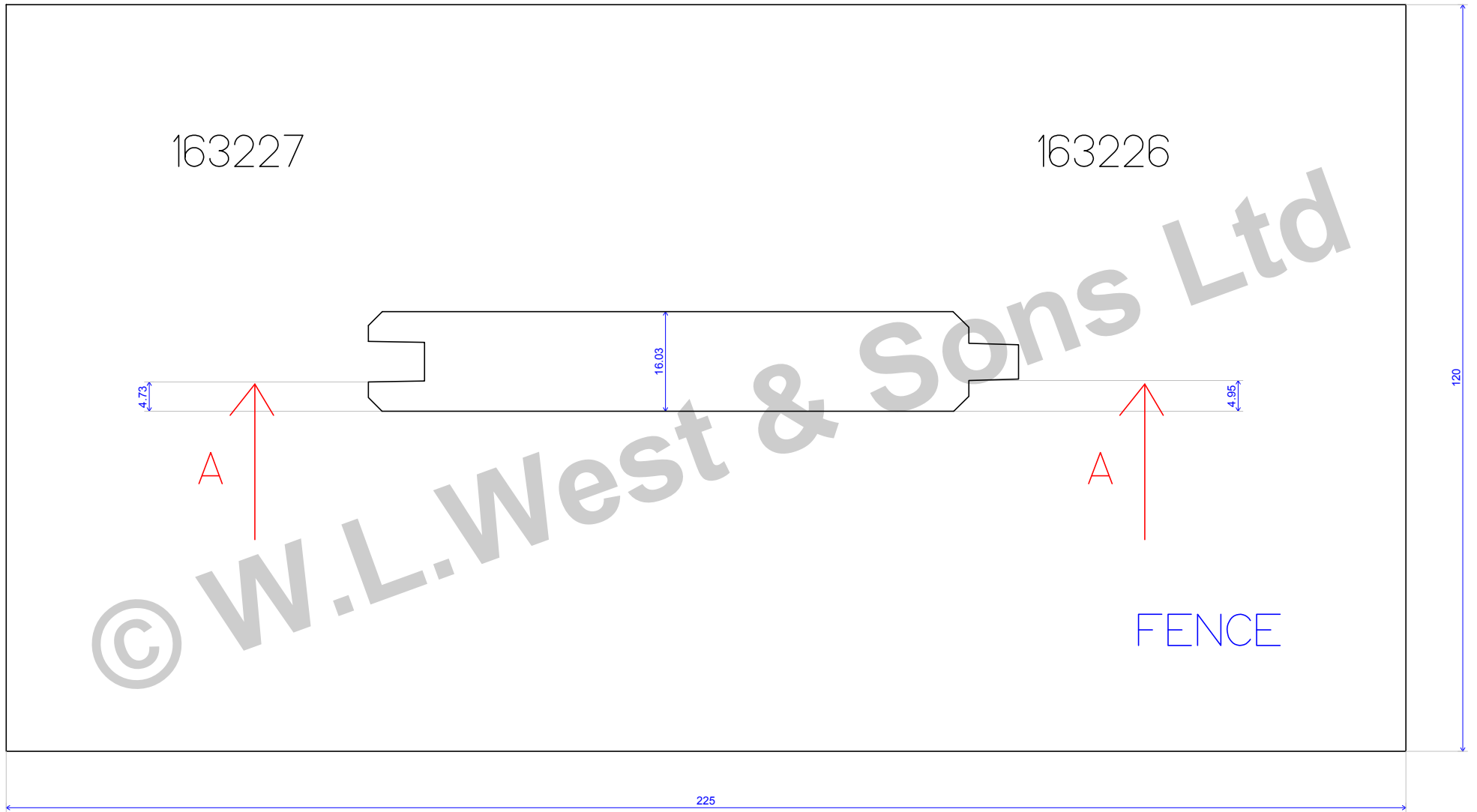
	<b>WLW 12MM TGV</b>	Scale : 1.164
02/06/09		



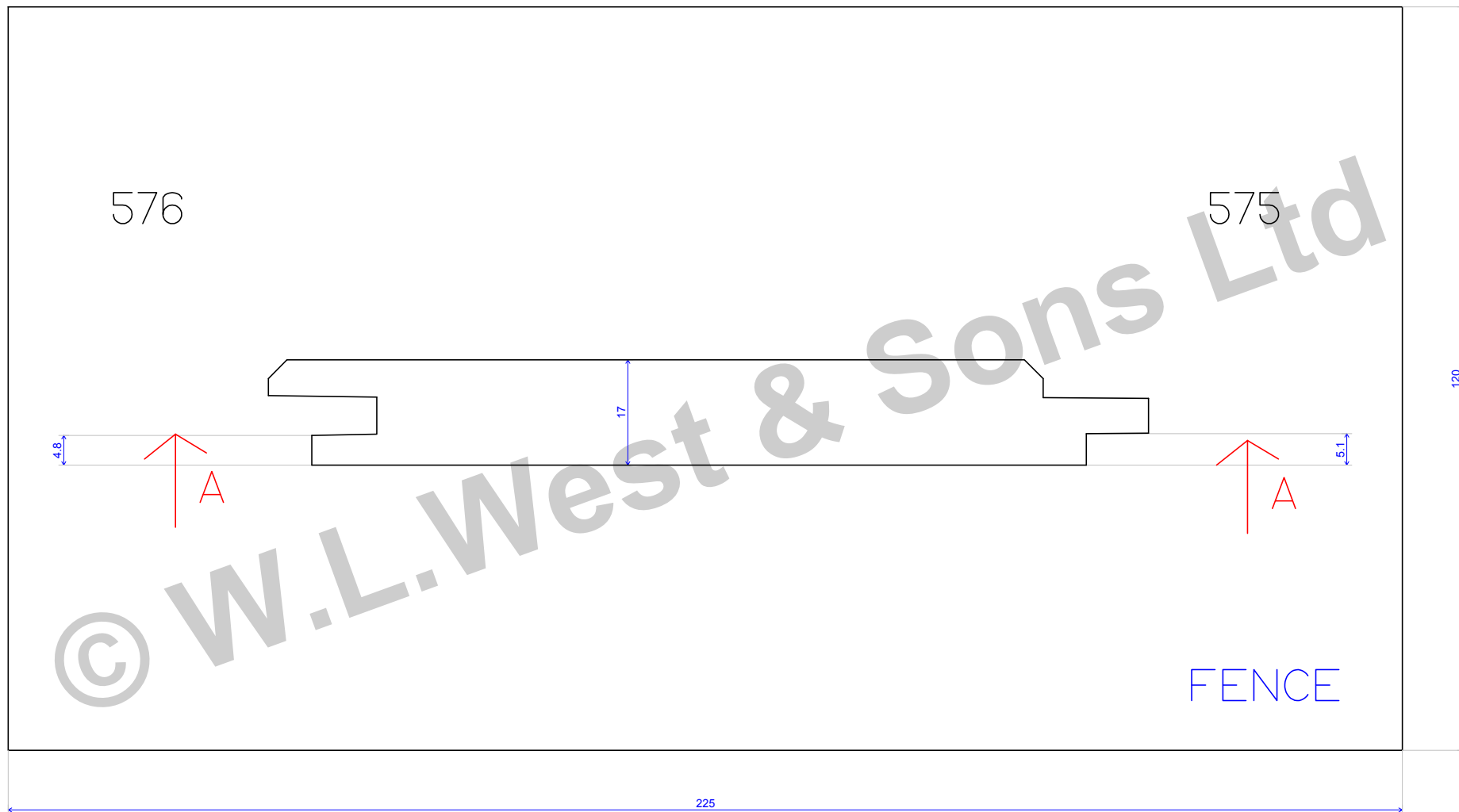
		
	<b>WLW 15MM T&amp;G CENTRAL</b>	Scale : 1.034
02/06/09	Box 129/2	



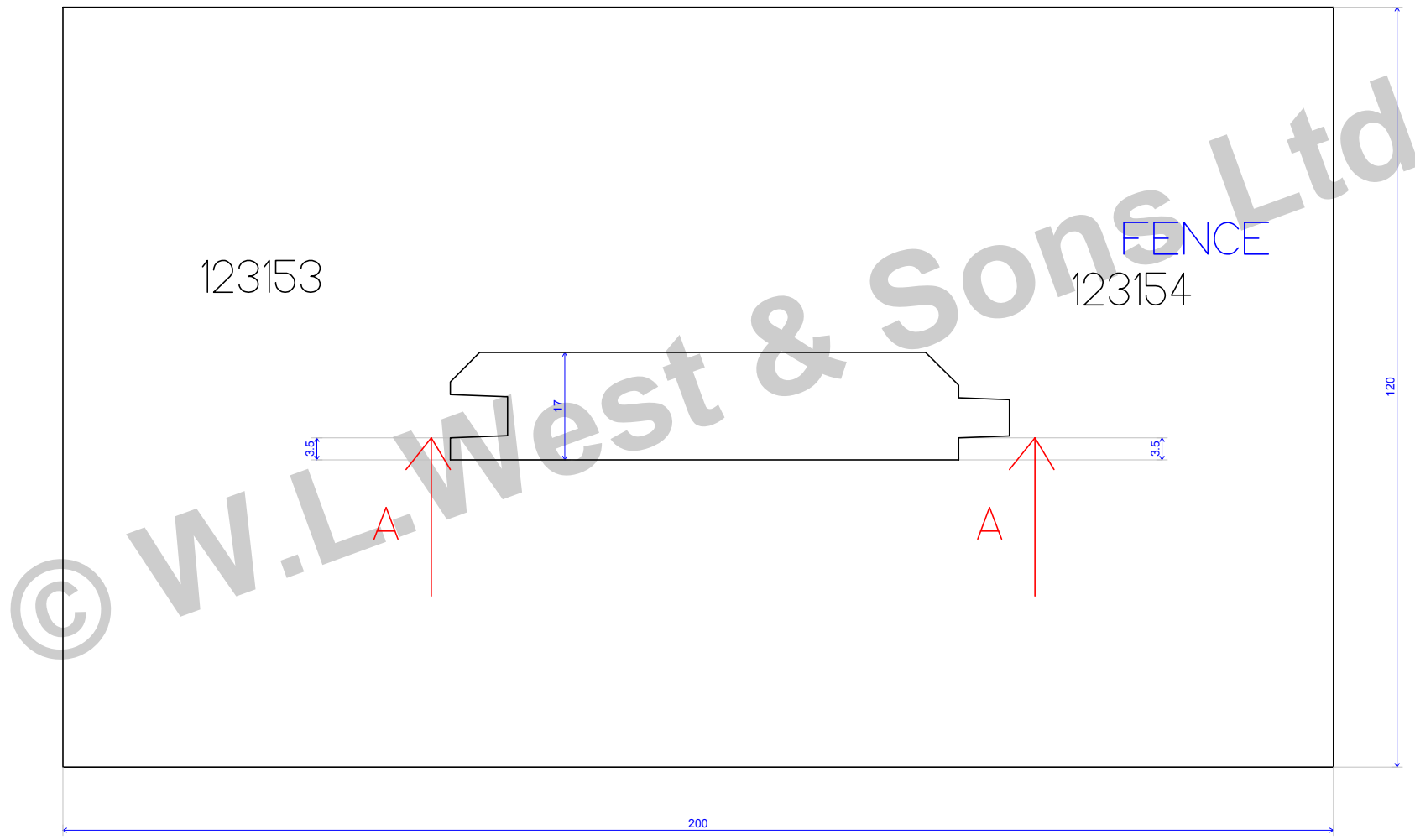
	<b>WLW 15MM TGV</b>	Scale : 1.164
02/06/09	Box 120	



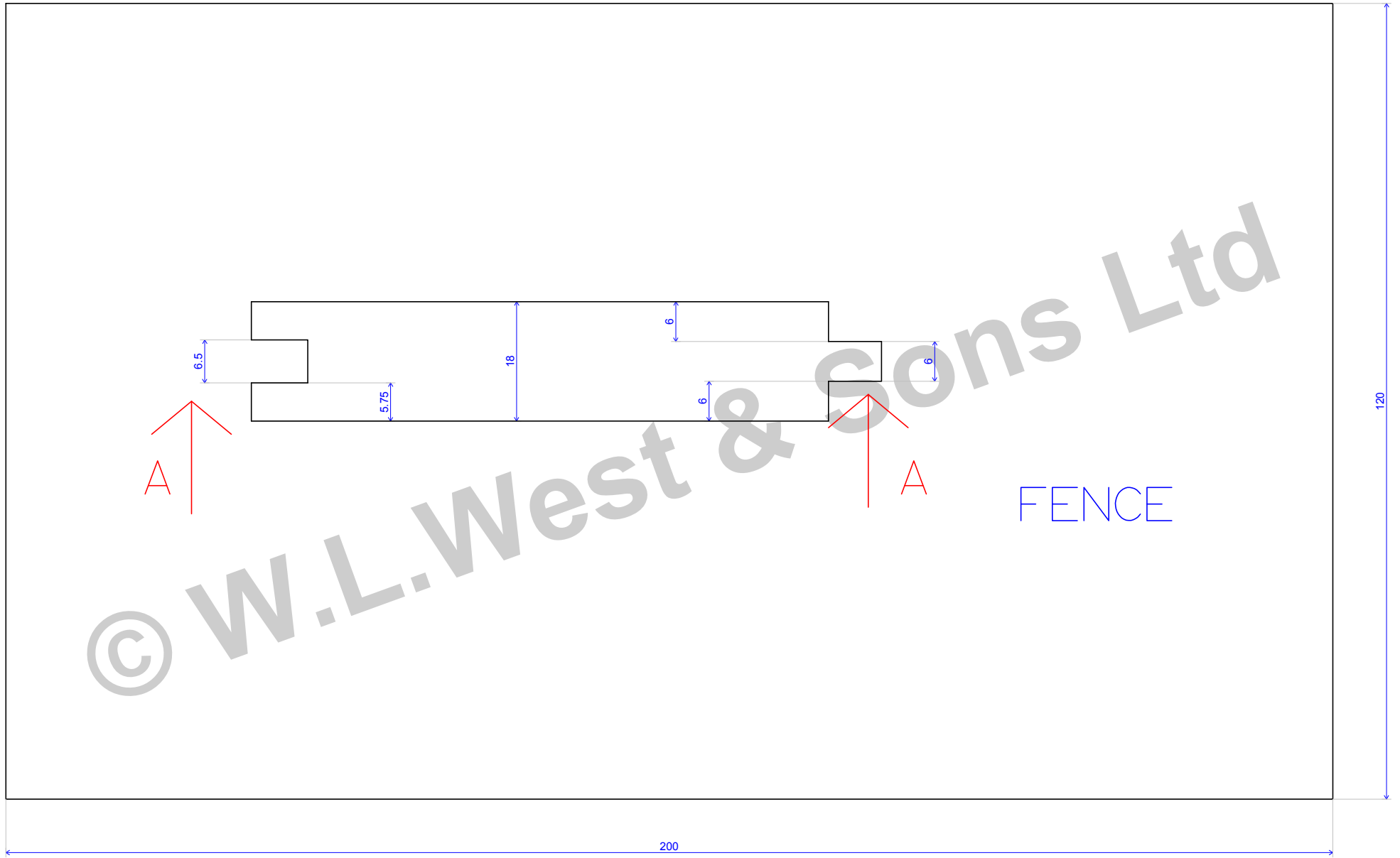
	<b>WLW 16MM 2 SIDED TGV</b>	Scale : 1.098
02/06/09		



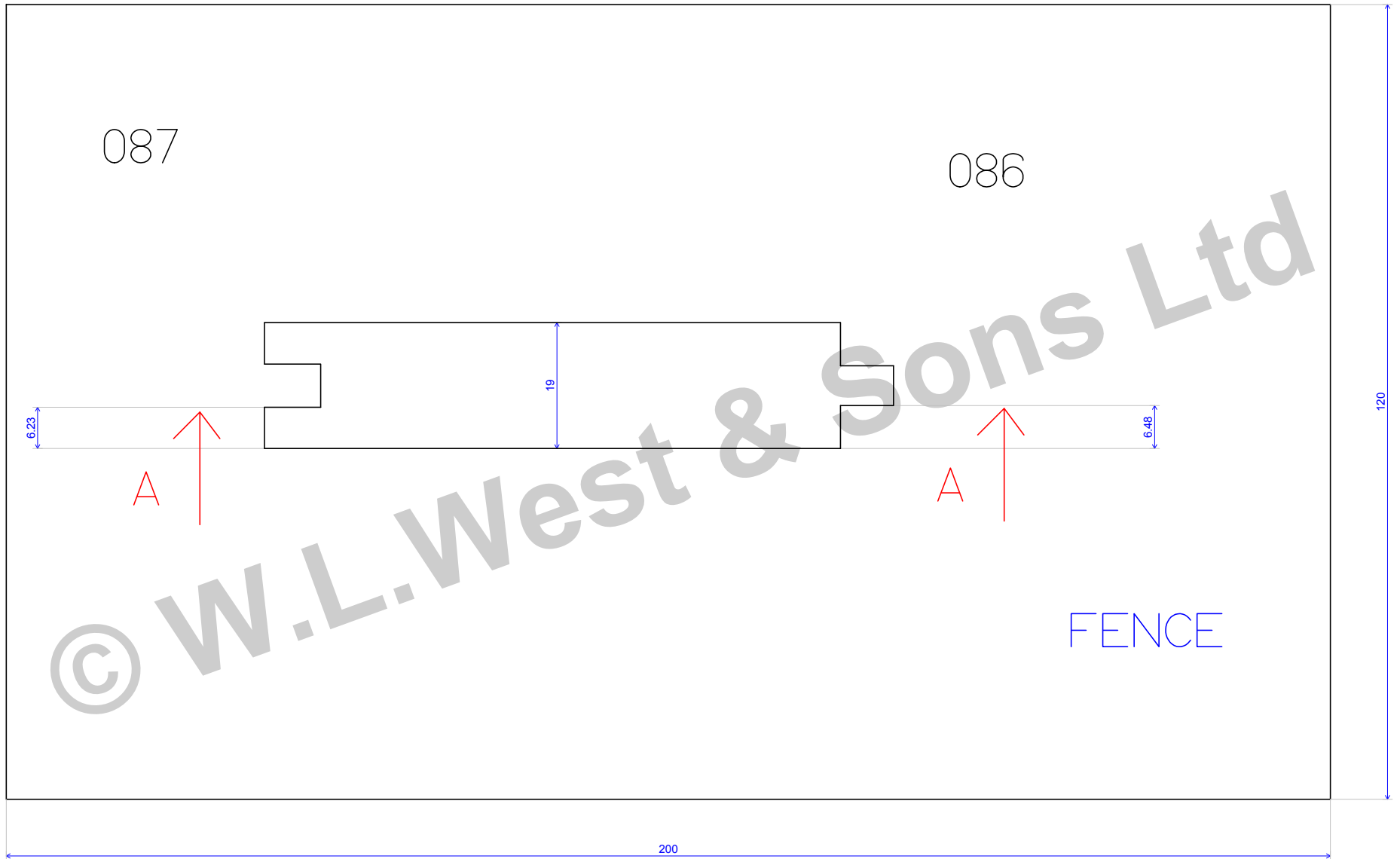
	<b>WLW 17MM GARAPA TGV</b>	Scale : 1.034
02/06/09		



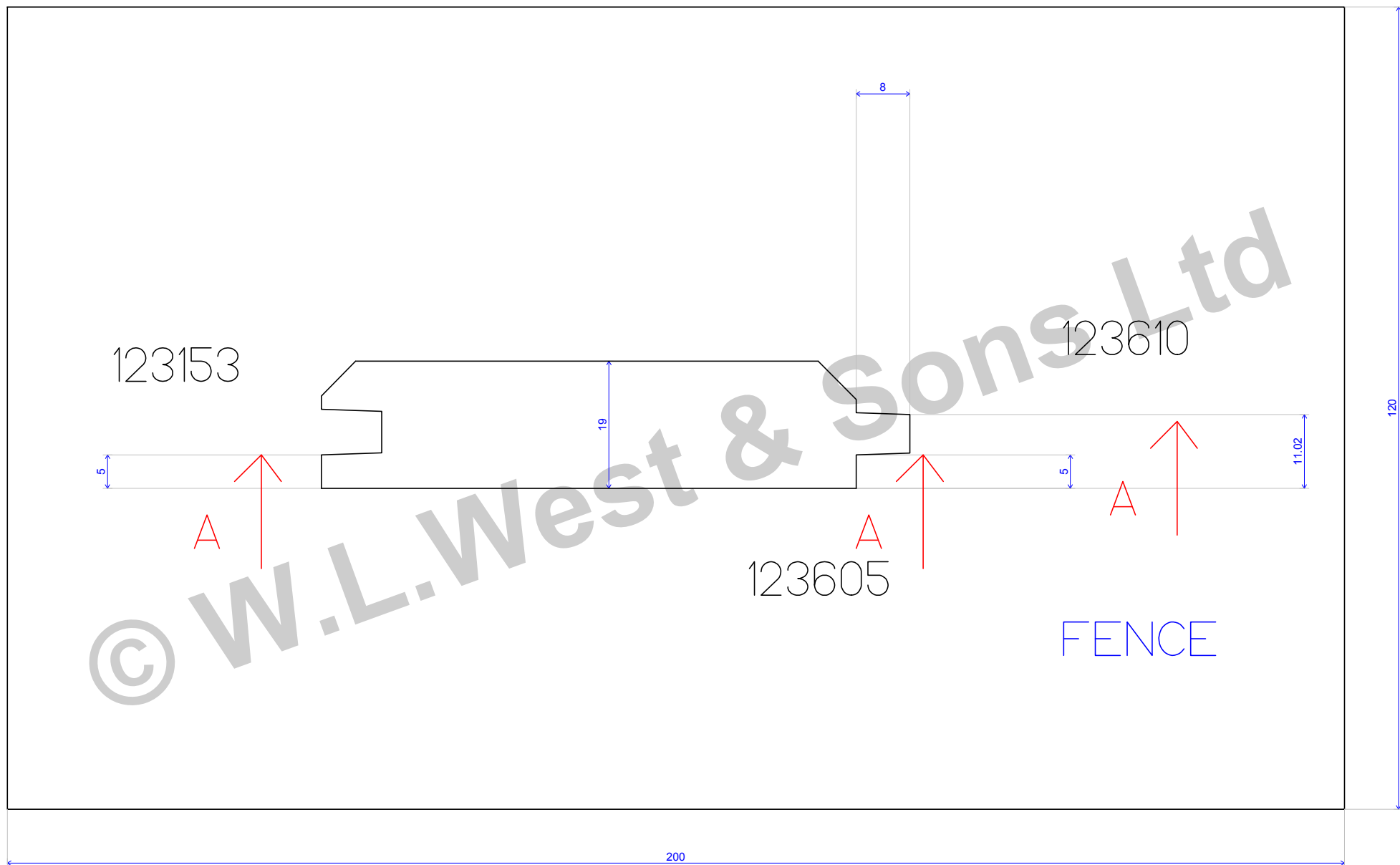
	<b>WLW 17MM TGV RANDOM WIDTH</b>	Scale : 1
09/06/09	Box 123A	



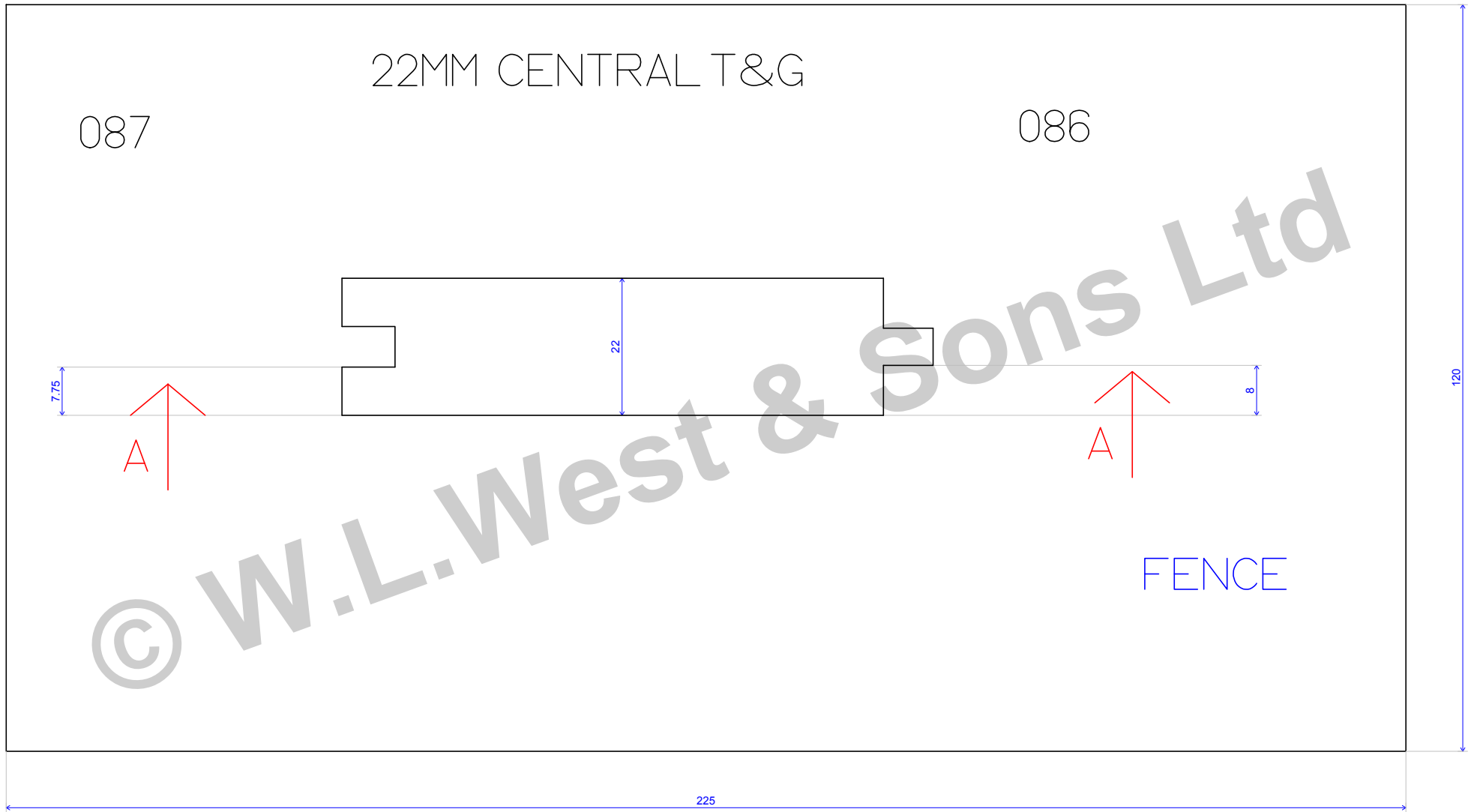
	<b>WLW 18MM T&amp;G</b>	Scale : 1.235
02/06/09		



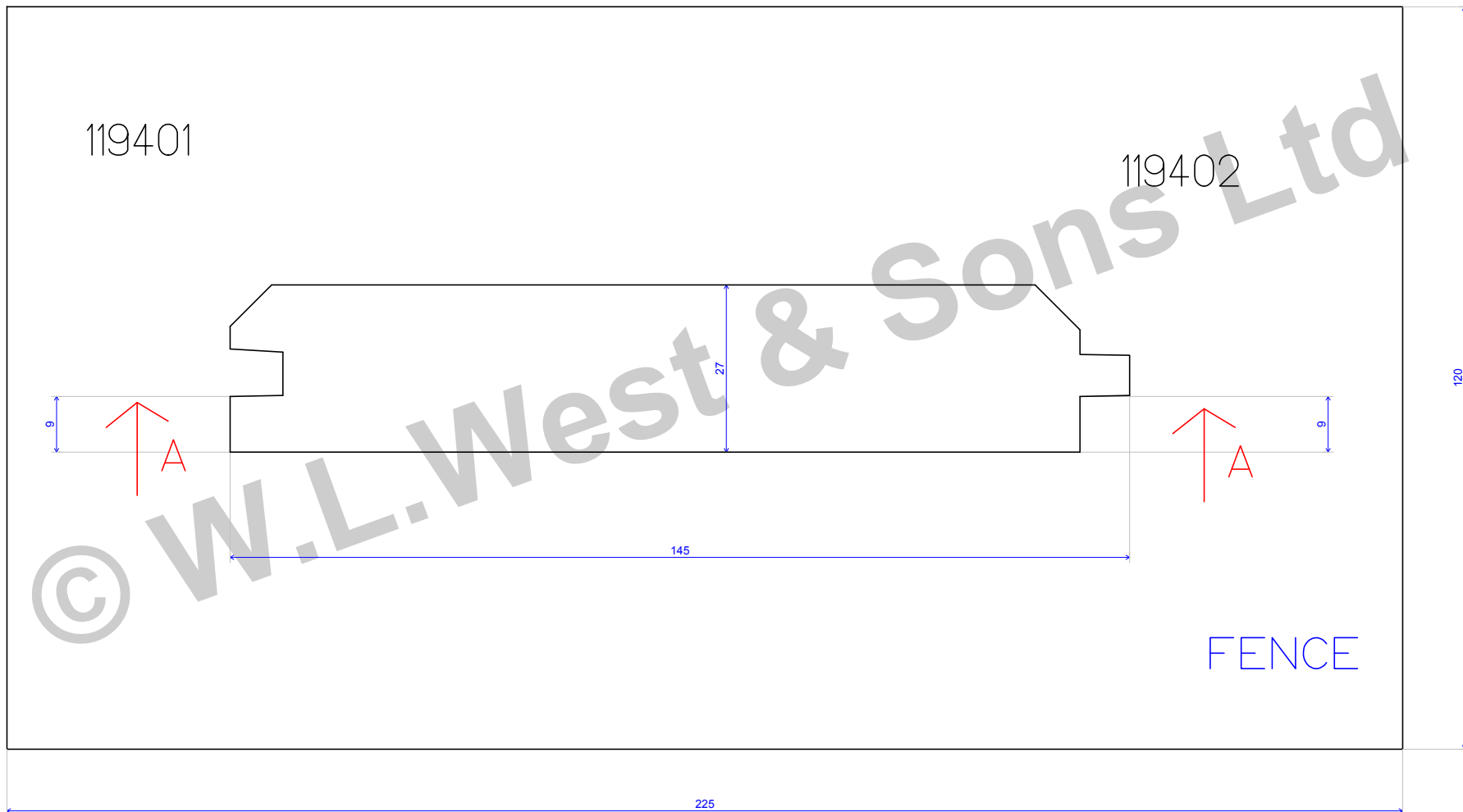
	<b>WLW 19MM CENTRAL T&amp;G</b>	Scale : 1.164
02/06/09		



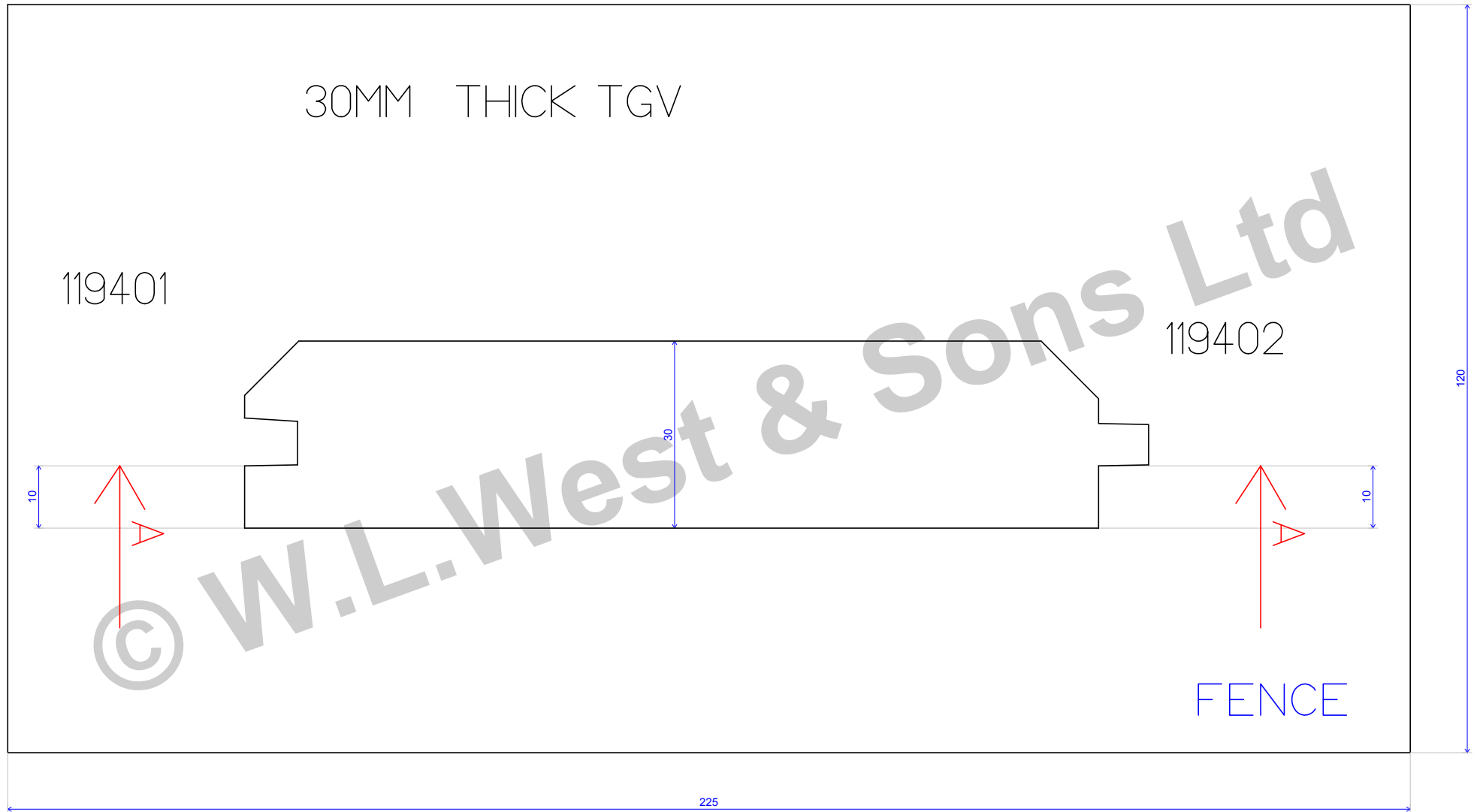
	<b>WLW 19MM TGV</b> Box 123	Scale : 1.235
02/06/09		



	<b>WLW 22MM CENTRAL T&amp;G</b>	Scale : 1.098
02/06/09		

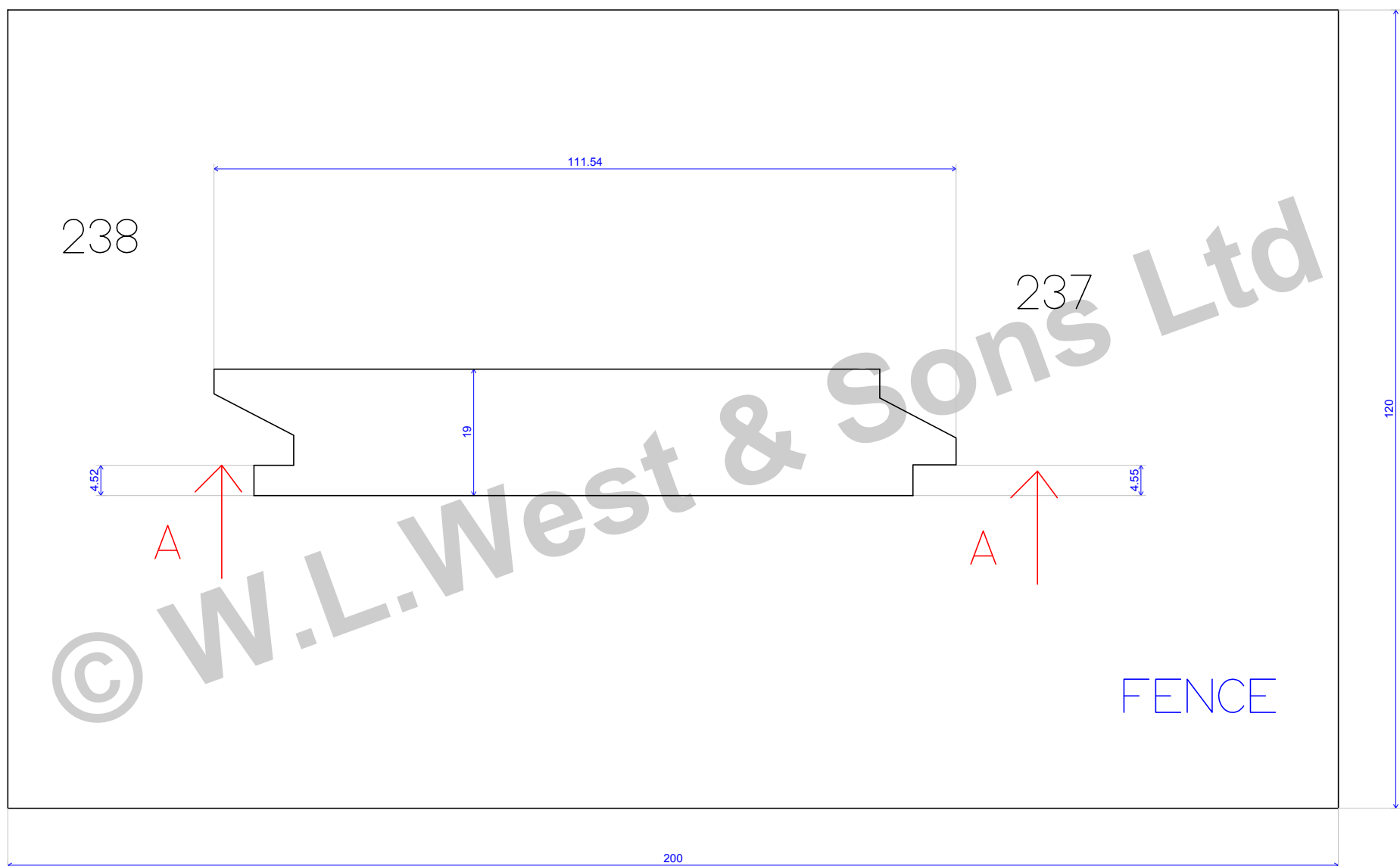


	<b>WLW 27MM TGV</b>	Scale : 1
09/06/09	Box 119	

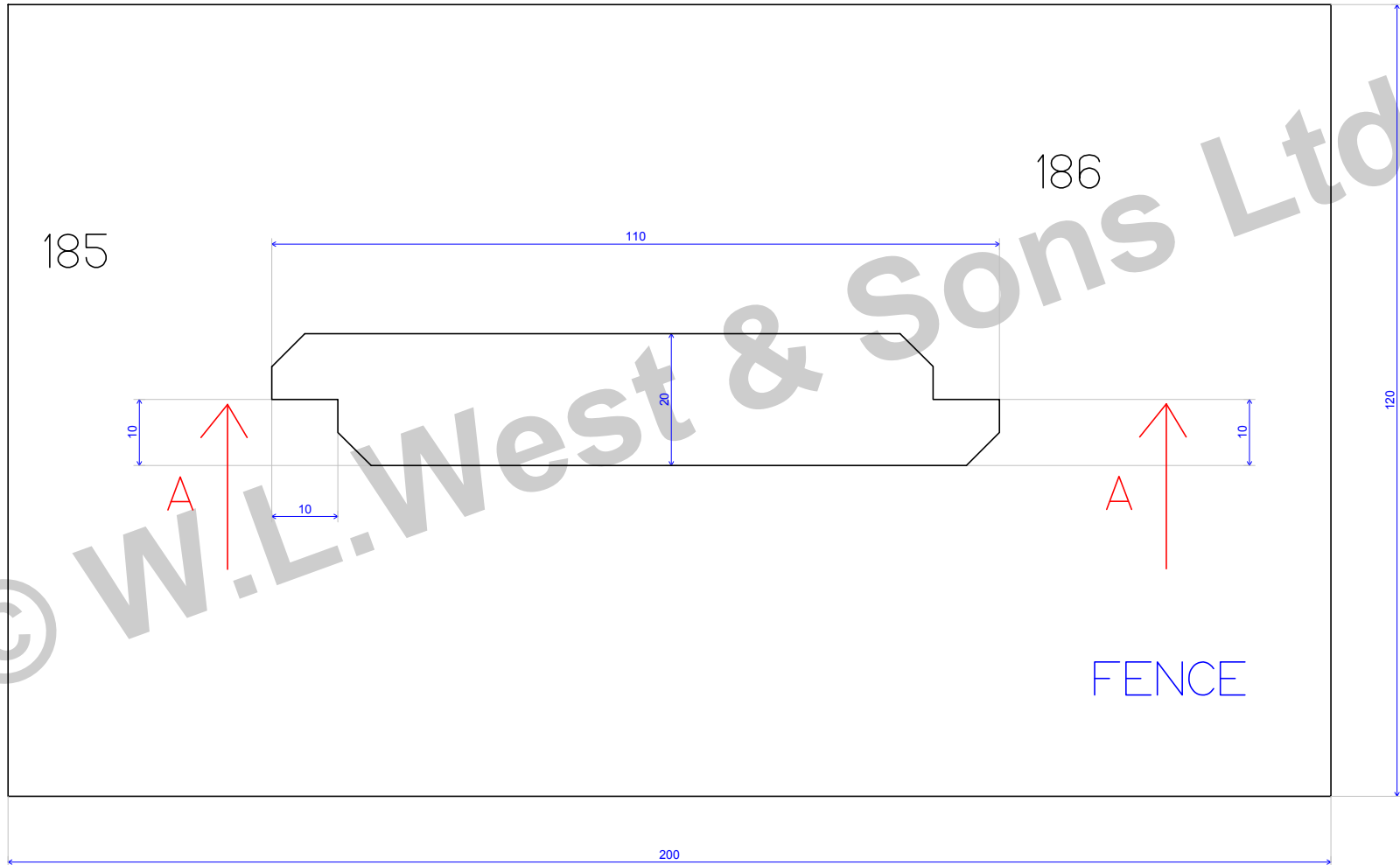


	<b>WLW 30MM TGV</b>	Scale : 1.098
02/06/09	Box 119B	

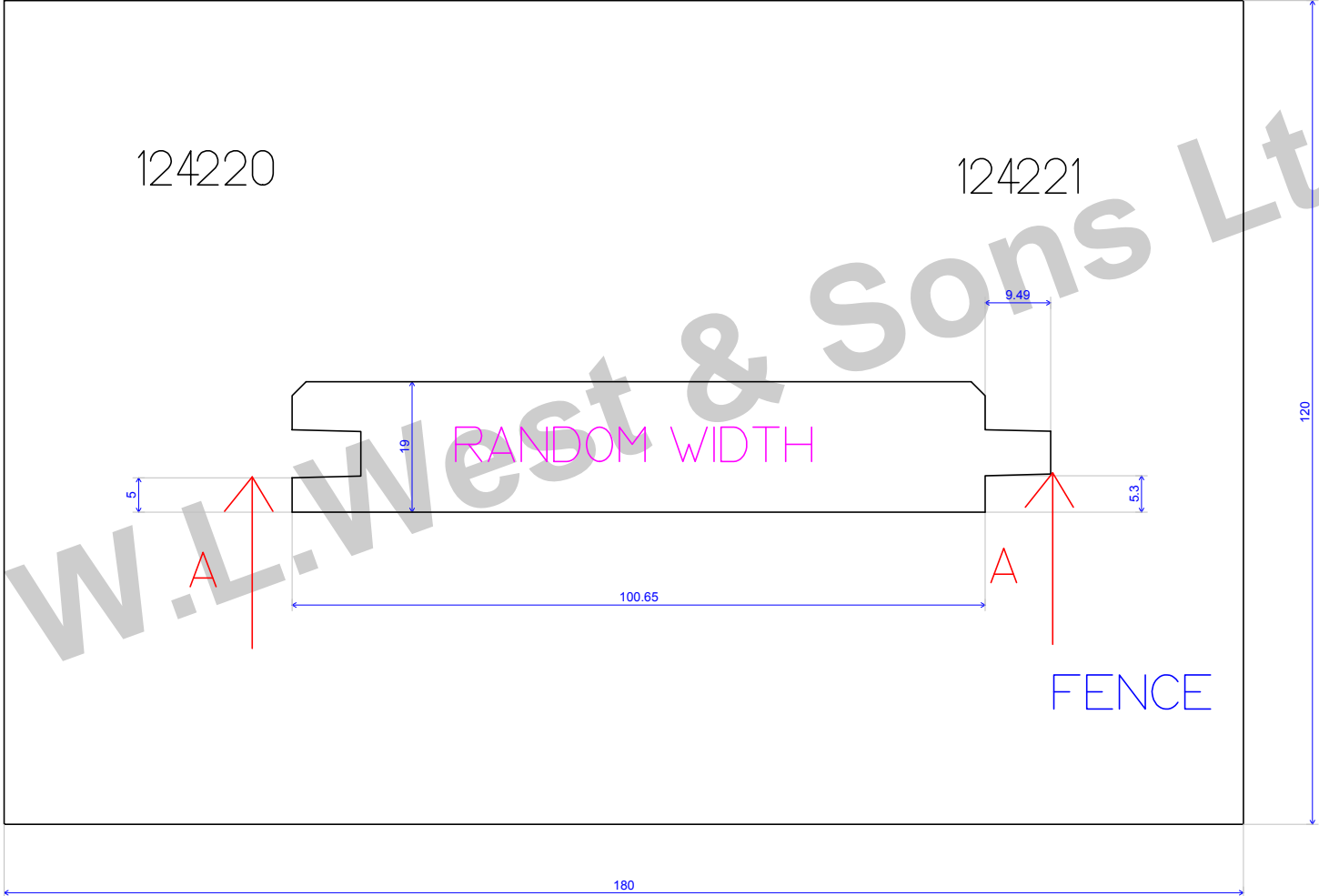




	<b>WLW ANGLE TG</b>	Scale : 1.164
09/06/09	Box 127	

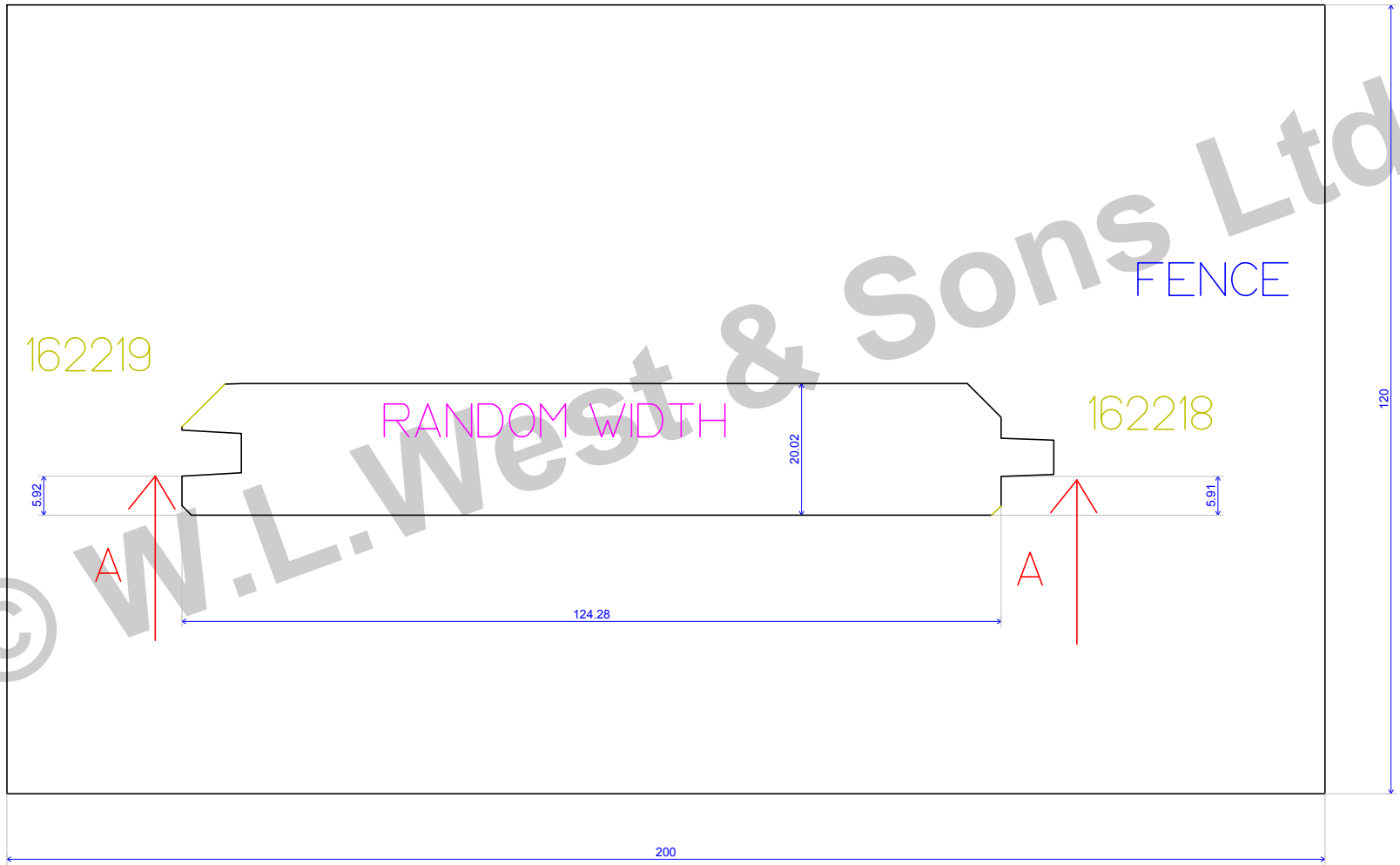


	<b>WLW HALF LAP WITH V</b>	Scale : 1
09/06/09	Box 165	



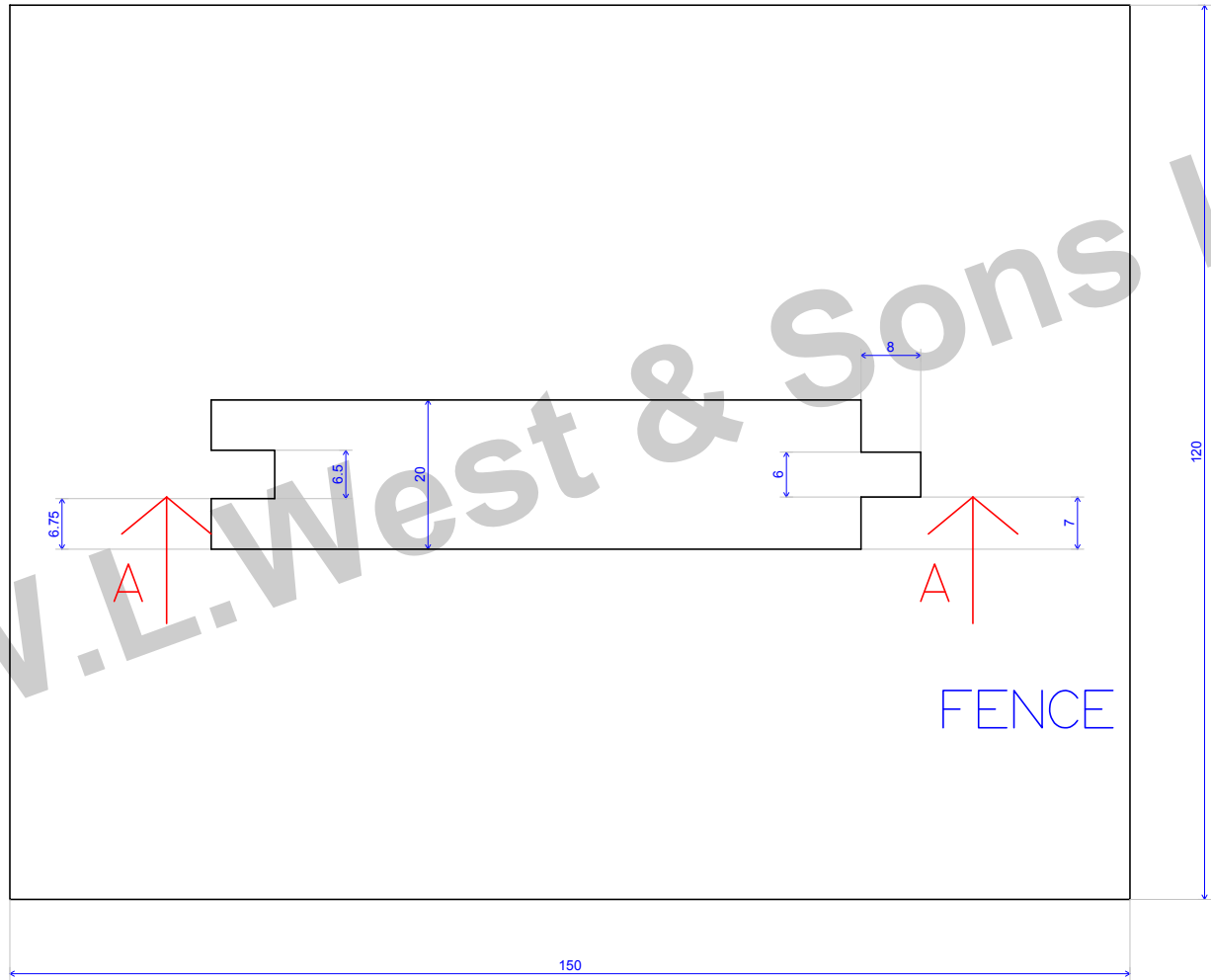
© W.L. West & Sons Ltd

	<b>WLW T &amp; G SMALL V</b>	Scale : 1
09/06/09	Box 124	

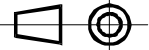


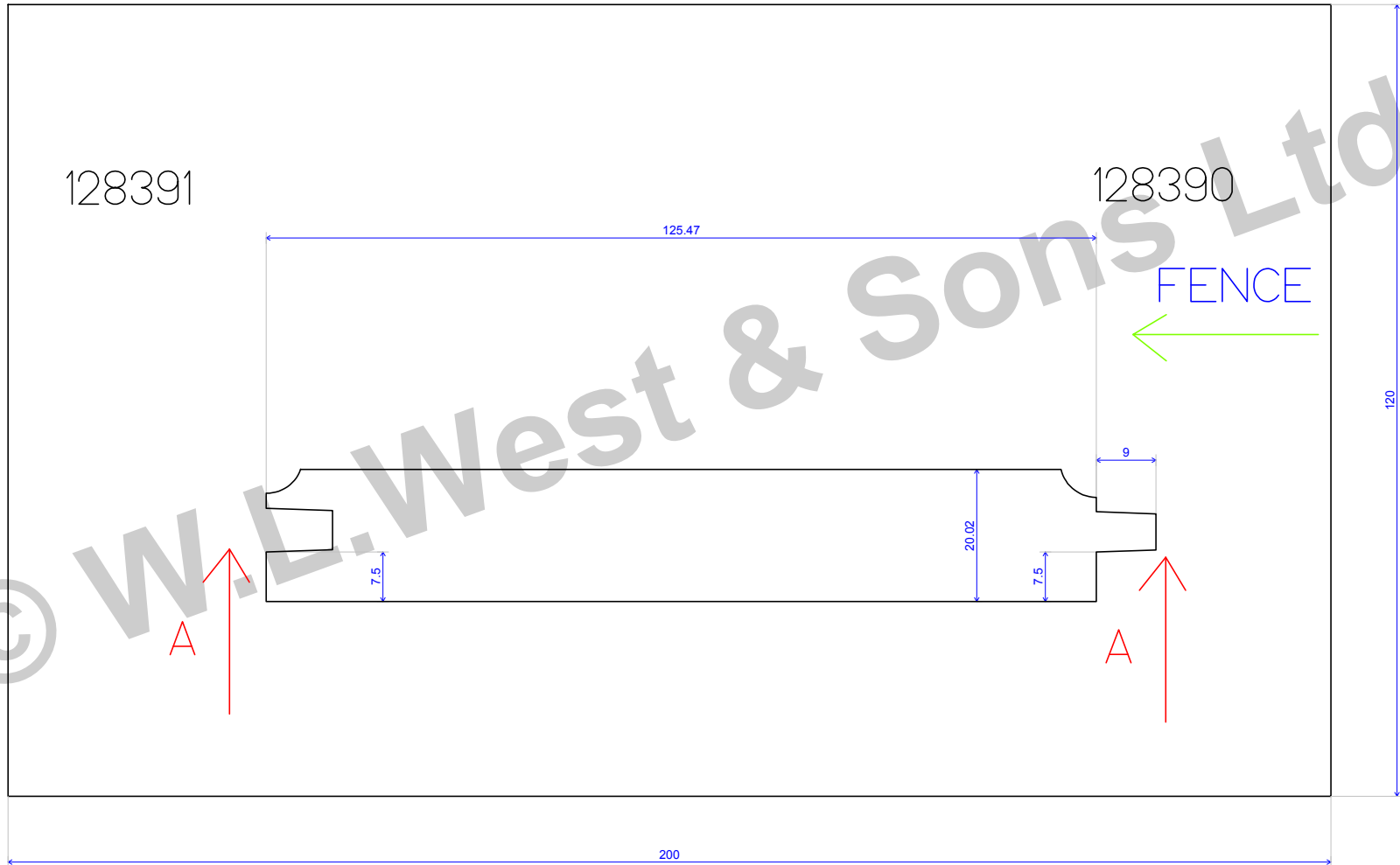
		
	<b>WLW TGV WITH MICRO BEVELL</b>	Scale : 1
09/06/09	Box 162	

© W.L. West & Sons Ltd

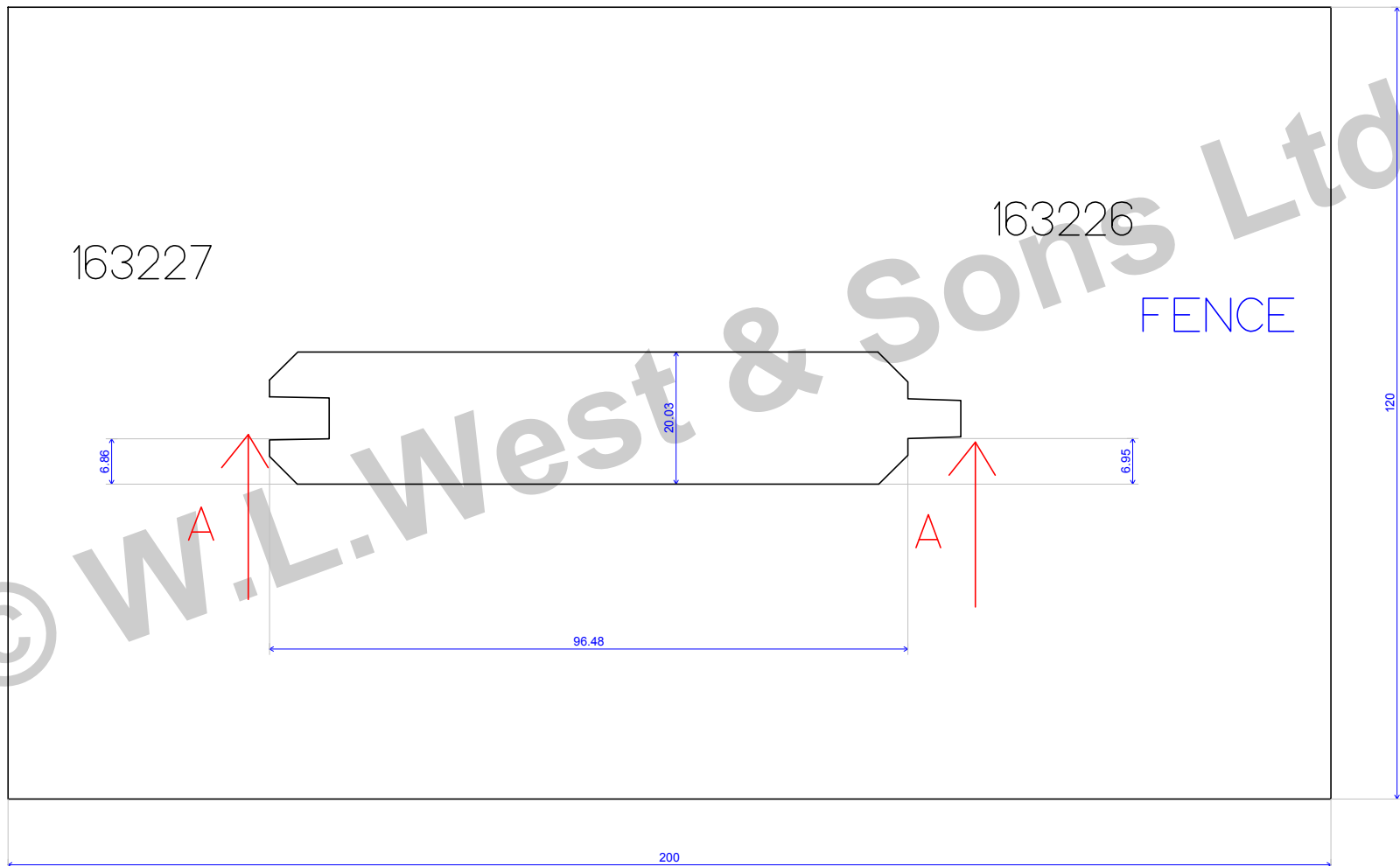


FENCE

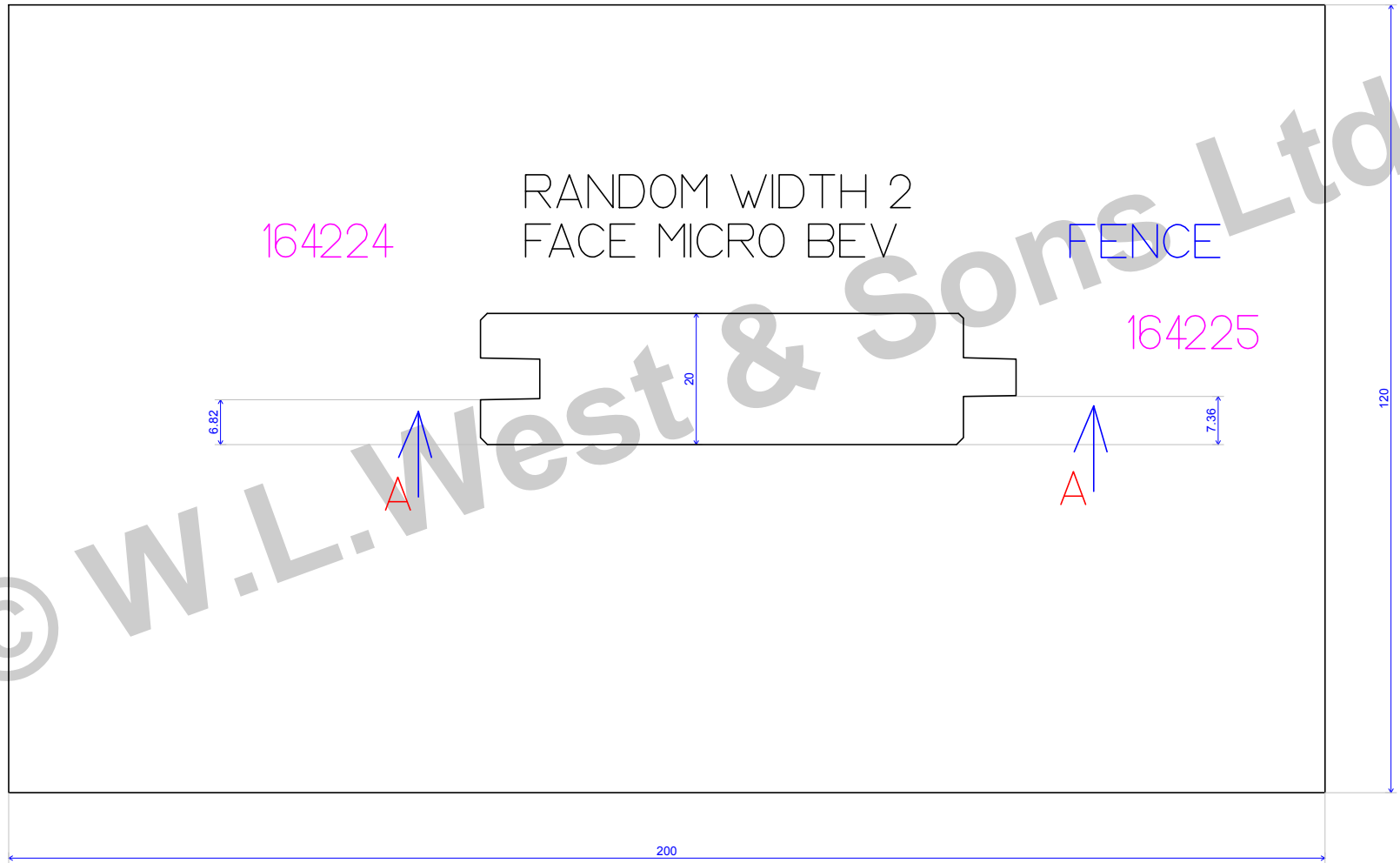
		
	<b>WLW T&amp;G</b>	Scale : 1
09/06/09	Box 126	



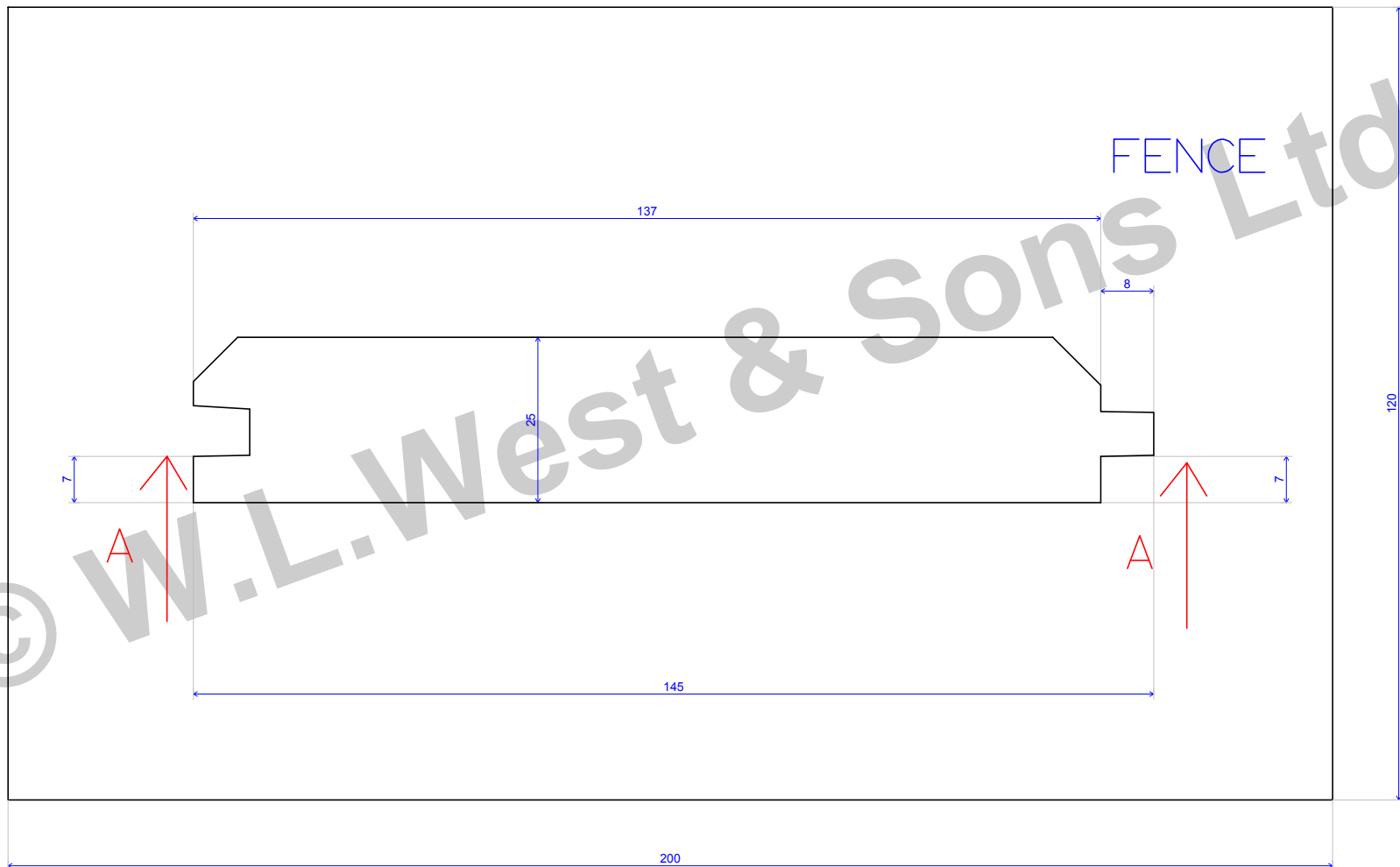
	<b>WLW TG WITH ROUND</b>	Scale : 1
09/06/09	Box 128	



	<b>WLW TWO FACED TGV</b>	Scale : 1
09/06/09		



	<b>WLW RANDON WIDTH 2 FACE MICRO BEVELL</b>	Scale : 1
09/06/09	Box 164	



	<b>WLW 25MM TGV</b>	Scale : 1
09/06/09	Box 119A	